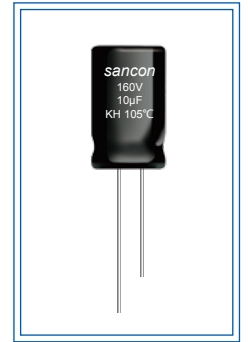


## KH(CD264)

### Features

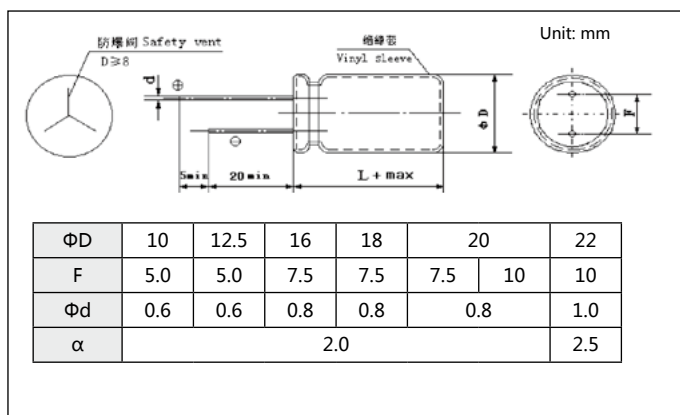
- High rated voltage, up to 500V.
- High-reliability and professional applications.
- Lighting, monitors, general industrial.
- Filtering of high voltages in power supplies.



### Specifications

Item	Performance Characteristics	
Operating Temperature Range	-40~+105°C	-25~+105°C
Rated Voltage Range	160~250V	350~500V
Nominal Capacitance Range	1~220µF	
Capacitance Tolerance	±20%(+20°C,120Hz)	
Leakage Current	after 1 minutes at 20°C application of rated voltage,leakage current is not more than : CV ≤ 1000: I ≤ 0.06CV+40 ; CV>1000: I ≤ 0.03CV+70	
Dissipation Factor ( tgδ,+20°C ,120Hz )	U <sub>R</sub> (V)	160 200 250 350 400 450 500
	tgδ	0.12 0.15 0.20
Temperature Characteristics (Impedance ratio at 120Hz)	U <sub>R</sub> (V)	160 200 250 350 400 450 500
	Z-25°C /+20°C	3 6 8
	Z-40°C /+20°C	4 -
Load Life	After applying rated voltage with specified ripple current for 3000 hours at +105°C and then resumed 24 hours: Capacitance change : ±20% Initial measured value Leakage current : ≤ the initial specified value Dissipation factor: ≤ 300% of the Initial specified value	
Shelf Life	After storage for 1000 hours at +105°C ,U <sub>R</sub> to be applied for 30 minutes and then resumed 24 hours: Capacitance change : ±20% Initial measured value Leakage current : ≤ the initial specified value Dissipation factor: ≤ 200% of the Initial specified value	

### Diagram of Dimensions



### Multiplier for Ripple Current

#### Frequency coefficient

Frequency (Hz)	50/60	120	300	1k	≥ 10K
Coefficient	0.75	1.00	1.20	1.35	1.50

#### Temperature coefficient

Temperature (°C)	+70	+85	+105
Coefficient	1.80	1.40	1.00

Standard Size

U <sub>R</sub> (Surge Voltage) Code(V)	Capacitance (μF)	Size ΦD×L (mm)	Rated ripple current 105°C, 120Hz (mArms)	Max ESR 20°C 120Hz (Ω)	Typ ESR 20°C 120Hz (Ω)
160 (200) 2C	10	10×16	95	15.9	5.3
	22	10×20	145	7.2	2.4
	33	12.5×20	190	4.8	1.6
	47	12.5×25	280	3.4	1.1
	47	16×20	280	3.4	1.1
	100	16×25	380	1.6	0.5
	100	18×20	380	1.6	0.5
	220	18×36	630	0.7	0.2
200 (250) 2D	4.7	10×12.5	60	33.9	11.2
	10	10×16	95	15.9	5.3
	22	10×20	145	7.2	2.4
	33	12.5×20	190	4.8	1.6
	47	12.5×25	280	3.4	1.1
	47	16×20	280	3.4	1.1
	100	16×31.5	410	1.6	0.5
	100	18×25	410	1.6	0.5
250 (300) 2E	4.7	10×12.5	60	33.9	11.2
	10	10×20	105	15.9	5.3
	22	12.5×25	180	7.2	2.4
	22	16×20	180	7.2	2.4
	33	12.5×25	250	4.8	1.6
	33	16×20	250	4.8	1.6
	47	16×25	300	3.4	1.1
	47	18×20	300	3.4	1.1
	100	16×31.5	410	1.6	0.5
	100	18×25	410	1.6	0.5
350 (400) 2V	3.3	10×12.5	50	60.3	19.9
	4.7	10×16	65	42.3	14.0
	10	12.5×20	120	19.9	6.6
	22	12.5×25	180	9.0	3.0
	22	16×20	180	9.0	3.0
	33	16×25	210	6.0	2.0
	47	16×35.5	300	4.2	1.4
	47	18×31.5	300	4.2	1.4

U <sub>R</sub> (Surge Voltage) Code(V)	Capacitance (μF)	Size ΦD×L (mm)	Rated ripple current 105°C, 120Hz (mArms)	Max ESR 20°C, 120Hz (Ω)	Typ ESR 20°C, 120Hz (Ω)
400 (450) 2G	2.2	10×12.5	40	90.5	29.9
	3.3	10×16	50	60.3	19.9
	4.7	10×20	70	42.3	14.0
	10	12.5×20	120	19.9	6.6
	22	16×25	200	9.0	3.0
	22	18×20	200	9.0	3.0
	33	16×31.5	245	6.0	2.0
	33	18×25	245	6.0	2.0
	47	18×31.5	300	4.2	1.4
	450 (500) 2W	1	10×12.5	30	265.4
2.2		10×16	45	120.6	39.8
3.3		10×20	65	80.4	26.5
4.7		12.5×20	80	56.5	18.6
10		12.5×25	140	26.5	8.8
22		16×25	220	12.1	4.0
33		16×31.5	280	8.0	2.7
47		16×31.5	420	5.6	1.9
68		16×35.5	520	3.9	1.3
82		18×31.5	580	3.2	1.1
100		18×36	750	2.7	0.9
120		18×40	800	2.2	0.7
150		20×41	860	1.8	0.6
180		22×41	920	1.5	0.5
500 (550) 2H	1	10×12.5	32	265.4	106.2
	2.2	10×16	49	120.6	48.3
	3.3	10×20	68	80.4	32.2
	4.7	12.5×20	84	56.5	22.6
	10	12.5×25	145	26.5	10.6
	22	16×25	230	12.1	4.8
	33	16×31.5	295	8.0	3.2
	47	18×31.5	415	5.6	2.3
	68	18×36	530	3.9	1.6
	82	18×40	590	3.2	1.3
	100	20×41	750	2.7	1.1
	120	22×41	810	2.2	0.9
	150	22×45	930	1.8	0.7

Miniature Mount