



Zhaga version (4P) Receptacle and Accessories (Draft ANSI C136.58–201x)

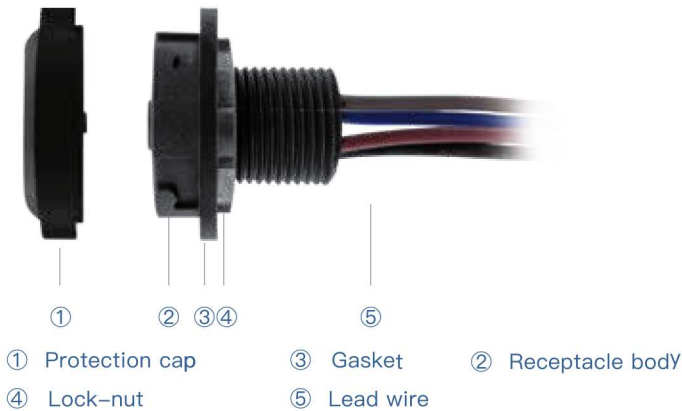
member of Zhaga Consortium, introduces the JL-7 series products, including JL-700 receptacle and accessories, to offer a Zhaga Book 18 regulated interface for easier way to develop standard devices used for roadway lighting, area lighting, or occupancy lighting, etc.

Its mating devices, JL-71 series, as listed below, will be put on sales soon.

These devices can be offered in DALI 2.0 protocol (Pin 2-3) or 0-10V dimming (per request) features, based on fixture arrangement.



■ PRODUCT LAYERING DIAGRAM



■ BENEFITS

- Standardized interface defined in Zhaga Book 18
- Compact size allowing greater flexibility in luminaire design
- Advanced sealing to achieve IP66 with no mounting screws
- Scalable solution allows use of Ø40mm photocell and a Ø80mm central management system with the same connection interface
- Flexible mounting position, upwards, downwards and sideways facing
- Integrated single gasket that seals to both luminaire and module that minimizes assembly time

■ APPLICATIONS

- Street and Area Lighting
- Outdoor Luminaires – Wall Packs – Parking Lots – Walkways
- Photo Controls
- Central Management System
- Other sensor modules e.g. occupancy, remote

■ MECHANICAL

- Mounting : M20X1.5 thread
- Wires: AWM1015, 20AWG, 6"(120mm)
- Receptacle : Ø30mm
- Thread length : 18.5mm
- Height above luminaire : 10mm
- JL-700X:IP20 ; JL-700:IP66
- Gasket : Ø36.5mm
- IK09 capable

■ DALI CONFIGURATIONS

- Contacts rating: 1.5A, 30Vdc (24V typical)
- Meets 10kV common mode surge test
- Hot pluggable capable
- 4 pole contacts

Default Version

- Port 1 (**Brown**): 24Vdc
- Port 2 (**Gray**): DALI (or DALI based protocol) – /common ground
- Port 3 (**Blue**): DALI (or DALI based protocol) +
- Port 4 (**Black**): General I/O

* Optional Version

- Port 1 (**RED**): Positive (+) pole of the 24 V power supply
- Port 2 (**BLACK**)
 - Negative (-) pole for the [DALI] protocol
 - Negative (-) pole for the 24V power supply (contact 1)
 - Ground for General Digital I/O (contact 4)
- Port 3 (**VIOLET**): Positive(+) pole for the [DALI] protocol
- Port 4 (**YELLOW**): General Digital I/O (greater than 7V)
- Rated impulse voltage: 0.8kV
- Pollution degree:2
- Range of temperature: -40 to 70°C
- Main power supply is off before installing a fixture

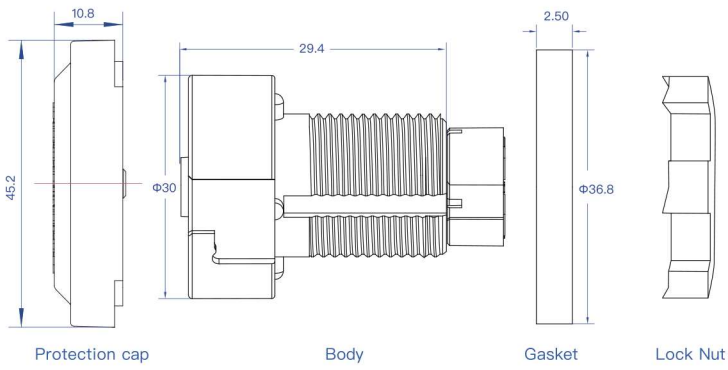
■ FIGURE



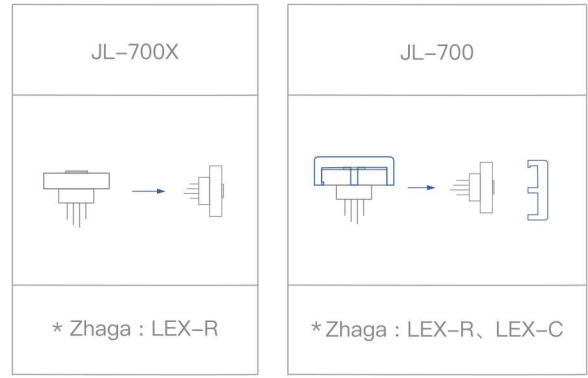
* (Zhaga is a trademark of the Zhaga Consortium)

DIMENSIONS

● JL-700

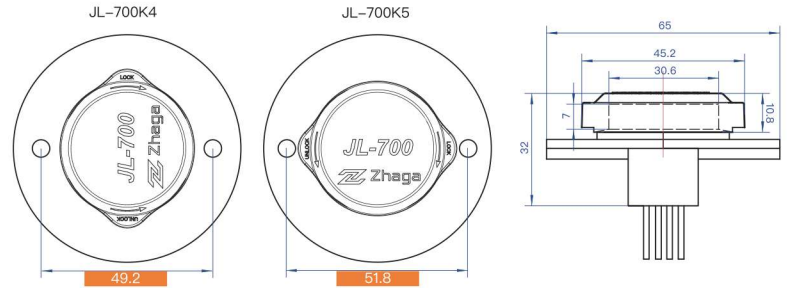
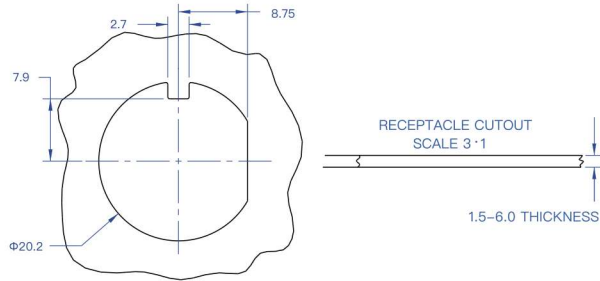


RECEPTACLE & PROTECT CAP



DRILLING PLAN

Note: The hole is a special-shaped hole, which can not be applied to all lamps and lanterns.



* The Zhaga receptacle to be enabled installed onto a NEMA opening.

ZHAGA LEX-M ASSEMBLIES

JL-701J	43.5mm * Zhaga LEX-M Base	-2	20mm 50.4mm	Color-code	JL-731J	63.2mm * Zhaga LEX-M Base	-5	50mm 71.2mm	Color-code
		-3	35mm 50.4mm		JL-741J	75.3mm * Zhaga LEX-M Base	-3	35mm 80mm	
JL-711J	43.5mm * Zhaga LEX-M Base	-2	20mm 50.4mm		JL-742J	75.3mm * Zhaga LEX-M Base	-5	50mm 80mm	
		-3	35mm 50.4mm						

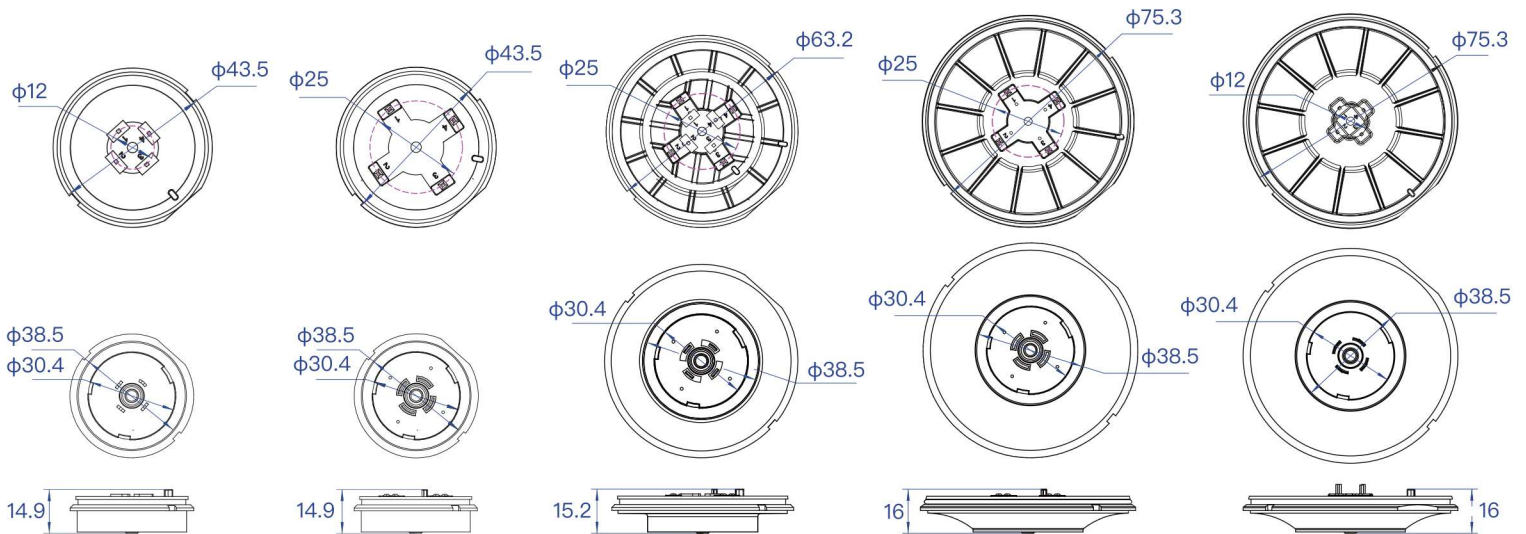
● JL-701J

● JL-711J

● JL-731J

● JL-741J

● JL-742J



* Append color-code as follow table

Red	Orange	Yellow	Green	Brown	Blue	Violet	Black	White	Gray	Maroon	Clear
A	B	C	D	E	F	G	H	J	K	L	W