

JL-260D

Flagship Slim Dimming Receptacle

NEMA Interface

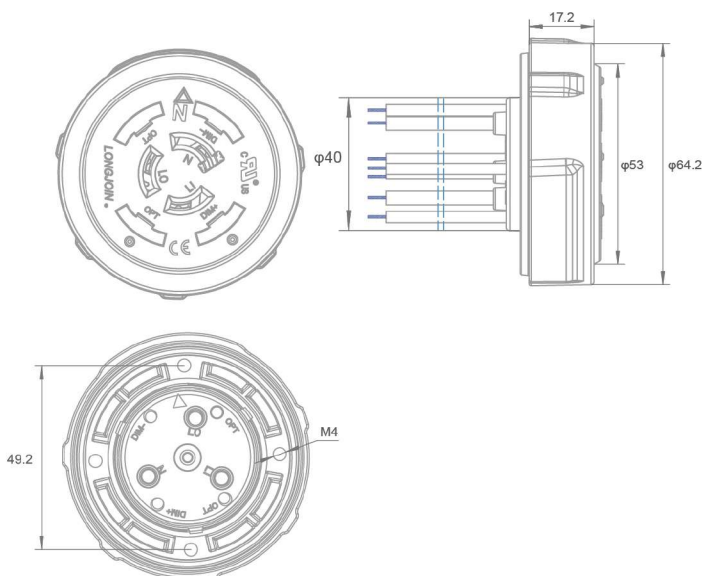


PRODUCT SUMMARY

This JL-260D series photocontrol receptacle is designed for the lanterns those intended to have an ANSI C136.10 receptacle to fit a twist-lock photocontrol. it conforms newly published ANSI C136.41 to allow a LED lamp multi-controlled through the receptacle.

It offers 2 or 4 gold-plated low voltage pads on the top surface to fit photocontrol has ANSI C136.41 conforming spring contacts, and offers 2 or 4 wiring leads at rear side for signal connection.




Especially, it is featured with waterproof self-rotation and 360° limited, while a super compressed height size is offered.



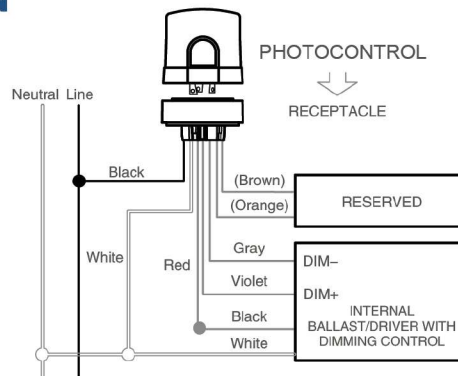
FEATURES

- Body made from polycarbonate
- Contacts made from phosphor bronze
- Gold pad made from Nickel plated phosphor bronze with gold plating per ASTM B 522
- High light North pointer

SPECIFICATIONS

Model No.	JL-260D
Applicable Volt Range	0~480VAC
Rated Frequency	50/60Hz
Power Loading	15A
Signal Control	0-30 VDC, 250 mA Max
Lead	16AWG/14AWG 6" min
Ambient Temperature	-40°C ~ +70°C
Related Humidity	96%
Certifications	  ANSI C 136.41 

INSTALLATION



ORDERING INFORMATION

JL-260D 1 16 12 -7P

JL-260D

1

-

16

-

12

-

7P

1 = ex-work in one-piece, for outward screwing assembling

2 = ex-work in divided condition, for inward screwing assembling

Power Lead Rating

16 = 16 AWG, 105°C rated

14 = 14 AWG, 105°C rated

14G = 14 AWG 150°C rated 16G = 16 AWG 150°C rated

12= 12" (Customizable, 06 Min.)

7P = 7 wires, gold pads x4

5P = 5 wires, gold pads x2 and decorative pads x2