




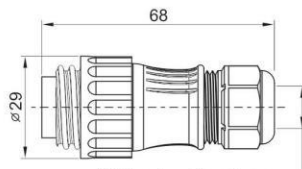

WEIPU®
IP67


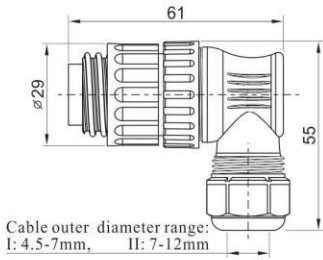


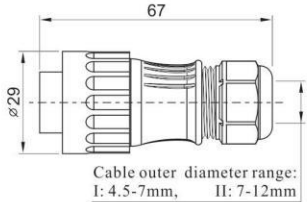


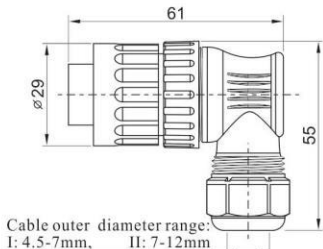


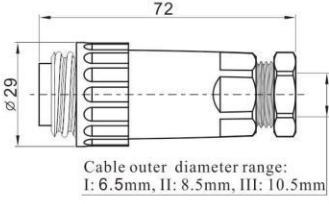

WA
22


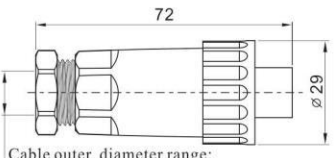


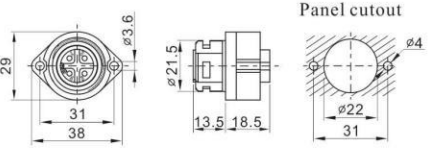

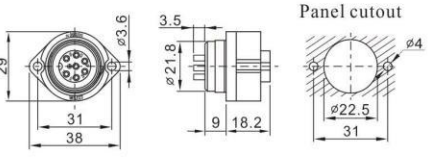

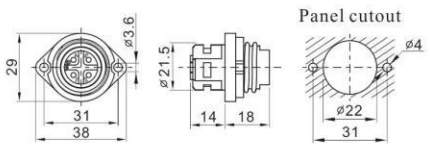

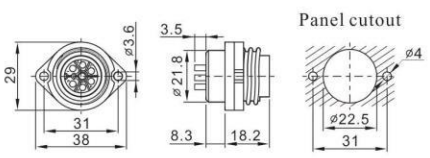

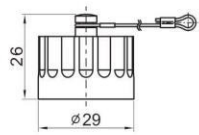

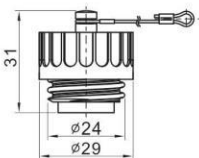


● **WA22 Series IP67**

Material and spec		
Number of contact	3+PE	6+PE
Contact diameter (mm)	∅2	∅1.5
Rated voltage (AC.V)	400	250
Rated current (A)	16	10
Wire size (mm ² /AWG)	≤2, 5/14	≤0.75/18
Termination	Screw	Solder
Test voltage(AC.V)1min	2000	
Insulation resistance (MΩ)	2000	
Shell material	Nylon66, fire resistance: V-0	
Contact material	Brass with gold plating	
Temperature range	-40C~+85C	
Mating cycle	500	

Part number	Description	Drawing
WA22J4TK2 Cable outer diameter I: 4.5-7mm, II: 7-12mm 	3+PE male cable connector with short back shell Screw termination	 Cable outer diameter range: I: 4.5-7mm, II: 7-12mm
WA22J7TK1 	6+PE male cable connector with short back shell Solder termination	

Part number	Description	Drawing
WA22J4TL2_ <small>Cable outer diameter I: 4.5-7mm, II: 7-12mm</small> 	3+PE male cable connector with angled back shell Screw termination	 <p>Cable outer diameter range: I: 4.5-7mm, II: 7-12mm</p>
WA22J7TL1_ 	6+PE male cable connector with angled back shell Solder termination	
WA22K4TK2_ 	3+PE female cable connector with short back shell Screw termination	 <p>Cable outer diameter range: I: 4.5-7mm, II: 7-12mm</p>
WA22K7TK1_ 	6+PE female cable connector with short back shell Solder termination	
WA22K4TL2_ 	3+PE female cable connector with angled back shell Screw termination	 <p>Cable outer diameter range: I: 4.5-7mm, II: 7-12mm</p>
WA22K7TL1_ 	6+PE female cable connector with angled back shell Solder termination	
WA22J4TE2_ 	3+PE male cable connector with long back shell Screw termination	 <p>Cable outer diameter range: I: 6.5mm, II: 8.5mm, III: 10.5mm</p>
WA22J7TE1_ 	6+PE male cable connector with long back shell Solder termination	

Part number	Description	Drawing
WA22K4ZE2_ <small>Cable outer diameter I: 4.5-7mm, II: 7-12mm</small> 	3+PE female cable connector with long back shell Screw termination	 <p>72</p> <p>∅29</p> <p>Cable outer diameter range: I: 6.5mm, II: 8.5mm, III: 10.5mm</p>
WA22K7ZE1_ 	6+PE female cable connector with long back shell Solder termination	
WA22K4Z2 	3+PE female panel connector Screw termination	 <p>Panel cutout</p> <p>∅21.5</p> <p>29</p> <p>31</p> <p>38</p> <p>∅3.6</p> <p>13.5</p> <p>18.5</p> <p>∅22</p> <p>31</p> <p>∅4</p>
WA22K7Z1 	6+PE female panel connector Solder termination	 <p>Panel cutout</p> <p>∅21.8</p> <p>29</p> <p>31</p> <p>38</p> <p>∅3.6</p> <p>3.5</p> <p>9</p> <p>18.2</p> <p>∅22.5</p> <p>31</p> <p>∅4</p>
WA22J4Z2 	3+PE male panel connector Screw termination	 <p>Panel cutout</p> <p>∅21.5</p> <p>29</p> <p>31</p> <p>38</p> <p>∅3.6</p> <p>14</p> <p>18</p> <p>∅22</p> <p>31</p> <p>∅4</p>
WA22J7Z1 	6+PE male panel connector Solder termination	 <p>Panel cutout</p> <p>∅21.8</p> <p>29</p> <p>31</p> <p>38</p> <p>∅3.6</p> <p>3.5</p> <p>8.3</p> <p>18.2</p> <p>∅22.5</p> <p>31</p> <p>∅4</p>
WA22G1 	Cap 1	 <p>26</p> <p>∅29</p>
WA22G2 	Cap 2	 <p>31</p> <p>∅24</p> <p>∅29</p>

