

TWIST-LOCK PHOTOCONTROL RECEPTACLE

JL-200 series



Product Summary

All the JL-200 series photocontrol receptacles were designed for the lanterns those without an ANSI C136.10-1996 receptacle equipped to fit a twist-lock photocontrol.

Both JL-200-14 and JL-200Z14 have been listed, and JL-200X14 has been recognized by UL to applicable US and Canadian safety standards, under their file E188110, Vol.1 & Vol.2.

Technical Data

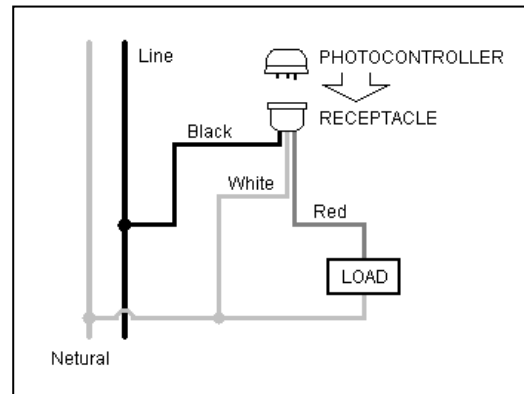
Model No.		JL-200X	JL-200	JL-200Z
Applicable Volt Range		0~480VAC		
Rated Frequency		50/60Hz		
Suggested Loading		AWG#18: 10Amp; AWG#14: 15Amp		
Ambient Temperature		-40 ~ +70		
Related Humidity		99%		
Overall Dimensions (mm)		65Dia.x38.5		65Dia.x65
Accessory	Back/Front Cover	-		
	Zinc Alloy Lock Nut	-		
	Mounting Plate/Base	-	-	30x(70+130)
Leads		6" Min.		
Weight Approx.		80g	105g	135g

Installation

Disconnect power; wire the receptacle according to the diagram in right hand. An arrow indicating NORTH on the top of the receptacle is used to assist correct direction. Push the photocontroller on and twist it clockwise to lock it into the receptacle.

Install the photocontroller with the Photocell facing the NORTH direction as indicated on the top of the photocontroller.

Adjust the receptacle position if necessary.



Drilling Plan

For other mounting methods, ask for the drilling plan to ensure the proper securement.

Ordering Information

JL-200X - **14 - ***06- *G- *****L3**

*: **Model Number;**

: **Lead Gauge:

18 = AWG#18 (Not UL item)

16 = AWG#16 (Not UL item)

14 = AWG#14

***: **Lead Length in inches;**

****: **Lead Grade:**

Null = 105 degree C, AWM1015

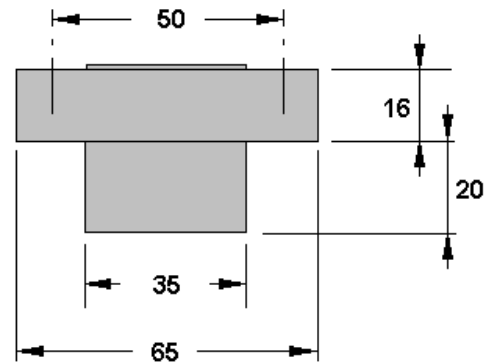
G = 150 degree C, AWM3321

*****: **Mounting Bracket:**

L1 = Zinc Plated Steel 1.0mm;

L2 = Aluminum 1.8~2.0mm;

L3 = Aluminum 2.8~3.0mm.



*Alternative Models



JL-210K Brackets for wall mounting



JL-220 Assemblies for lantern mounting