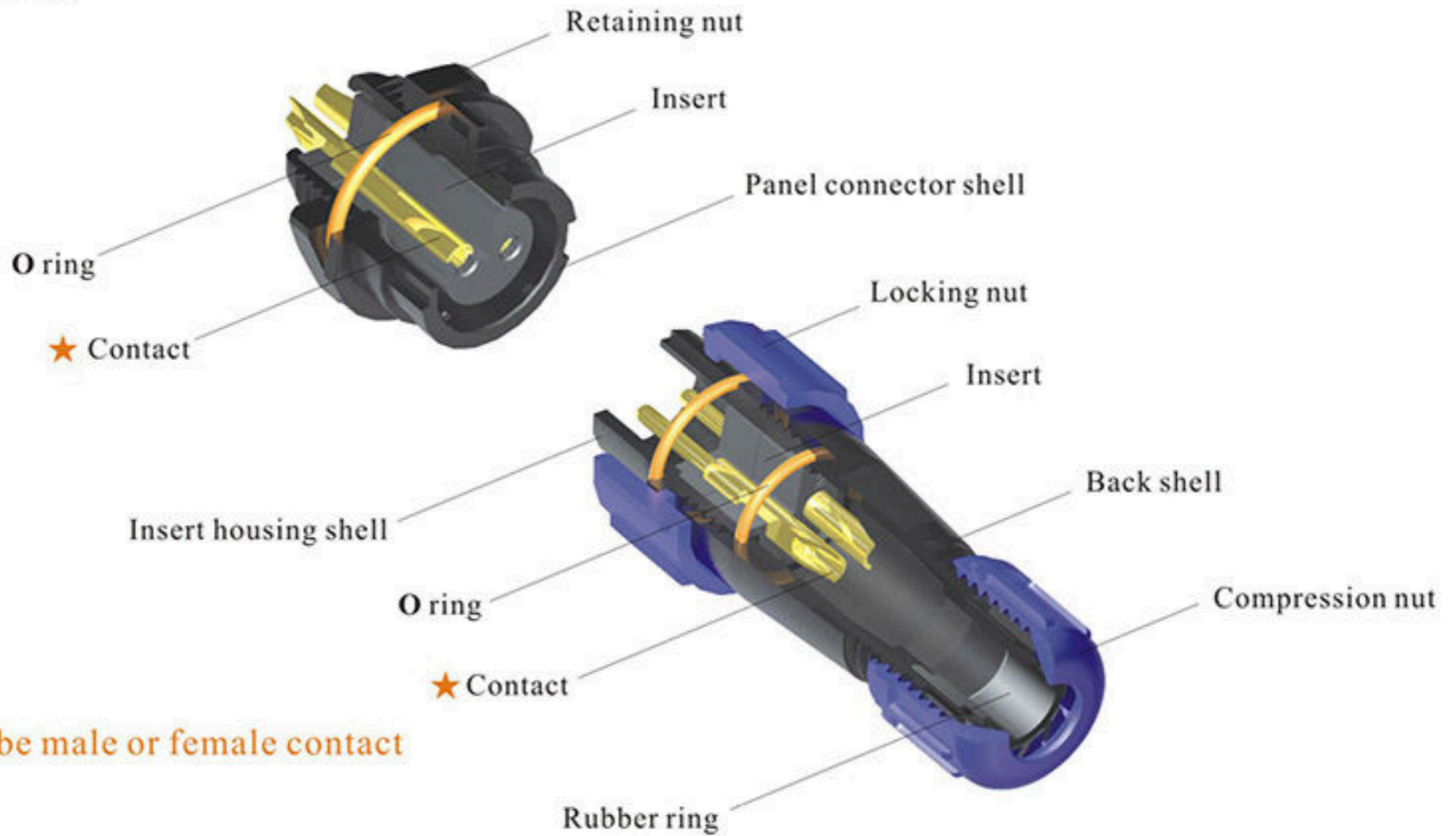


IP67



- SY Series IP67
- Bayonet coupling



★ Each side can be male or female contact

### Material and spec

|                            |   |
|----------------------------|---|
| Coupling                   | Bayonet   |
| Shell material             | PC: Panel connector shell, Insert housing shell<br>Nylon66: Locking nut, Back shell, Compressing nut, Retaining nut<br>Fire resistance: V-0 |
| Insert material            | PPS, max temperature 260 °C   |
| Contact material           | Brass with gold plating   |
| Termination                | Solder: SY13, SY17, SY21<br>Crimp: SY17, SY21<br>Screw: SY21 (∅3mm contact)   |
| IP rating                  | IP67  |
| Mating cycle               | 500   |
| Temperature range          | -40°C~+85°C   |
| Insulation resistance (MΩ) | 2000  |

**SY13 Series**

**Cable connector**  
Mate with SY1311, SY1312

SY1310 / P \_ \_    SY1310 / S \_ \_

Cable outer diameter  
I: 4-6.5mm, II: 5-8mm  
Number of contact

Cable outer diameter range:  
I: 4-6.5mm, II: 5-8mm

**In-line cable connector**  
Mate with SY1310

SY1311 / P \_ \_    SY1311 / S \_ \_

Cable outer diameter range:  
I: 4-6.5mm, II: 5-8mm

**Rear-nut mount**  
Mate with SY1310

SY1312 / P \_ \_    SY1312 / S \_ \_

Number of contact

Panel cutout

**Solder contact spec**

| Number of contact                | 2     | 3     | 4         | 5         | 6         | 7         | 9         |
|----------------------------------|-------|-------|-----------|-----------|-----------|-----------|-----------|
| Male contact face view           |       |       |           |           |           |           |           |
| Rated current (A)                | 13    | 13    | 5         | 5         | 5         | 5         | 3         |
| Contact diameter(mm)             | 1.6   | 1.6   | 1         | 1         | 1         | 1         | 0.7       |
| Rated voltage (AC.V)             | 250   | 250   | 200       | 180       | 125       | 125       | 125       |
| Test voltage(AC.V) 1 min         | 1500  | 1500  | 1500      | 1000      | 1000      | 1000      | 1000      |
| Contact resistance (mΩ)          | 2     | 2     | 5         | 5         | 5         | 5         | 10        |
| Wire size (mm <sup>2</sup> /AWG) | ≤2/14 | ≤2/14 | ≤0.785/18 | ≤0.785/18 | ≤0.785/18 | ≤0.785/18 | ≤0.785/18 |

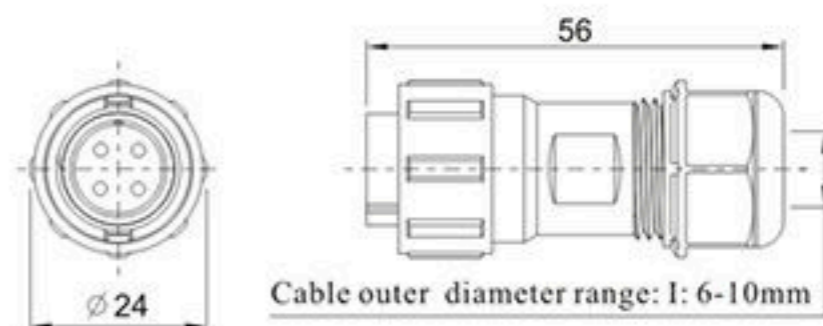
**SY17 Series**



SY1710 / P --- SY1710 / S ---

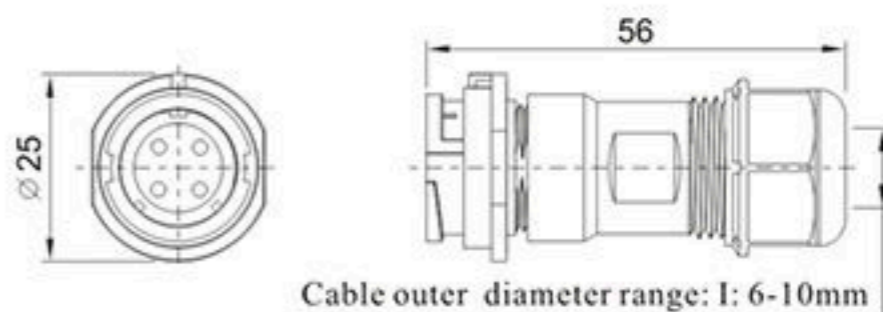
**Cable connector**  
Mate with SY1711,SY1712

1: solder, 3: crimp  
Cable outer diameter: I: 6-10mm  
Number of contact



SY1711 / P --- SY1711 / S ---

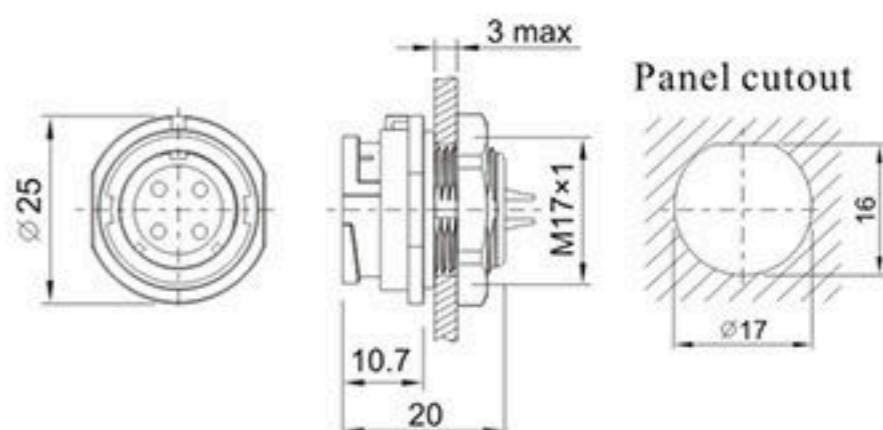
**In-line cable connector**  
Mate with SY1710



SY1712 / P --- SY1712 / S ---

**Rear-nut mount**  
Mate with SY1710

Number of contact




**Solder contact spec**

★ Crimp contact spec see page 77-80

| Number of contact                | 2      | 3      | 4          | 5          | 7          | 9          | 10         |
|----------------------------------|--------|--------|------------|------------|------------|------------|------------|
| Male contact face view           |        |        |            |            |            |            |            |
| Rated current (A)                | 10     | 10     | 5          | 5          | 5          | 5          | 5          |
| Contact diameter(mm)             | 1.5    | 1.5    | 1          | 1          | 1          | 1          | 1          |
| Rated voltage (AC.V)             | 500    | 500    | 500        | 500        | 400        | 400        | 400        |
| Test voltage(AC.V) 1 min         | 1500   | 1500   | 1500       | 1500       | 1200       | 1200       | 1200       |
| Contact resistance (mΩ)          | 2.5    | 2.5    | 5          | 5          | 5          | 5          | 5          |
| Wire size (mm <sup>2</sup> /AWG) | ≤ 2/14 | ≤ 2/14 | ≤ 0.785/18 | ≤ 0.785/18 | ≤ 0.785/18 | ≤ 0.785/18 | ≤ 0.785/18 |

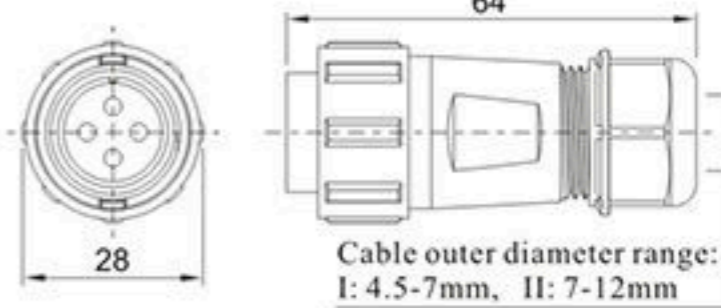
**SY21 Series**

**Cable connector**  
Mate with SY2111, SY2112, SY2113




SY2110 / P --- SY2110 / S  
Number of contact

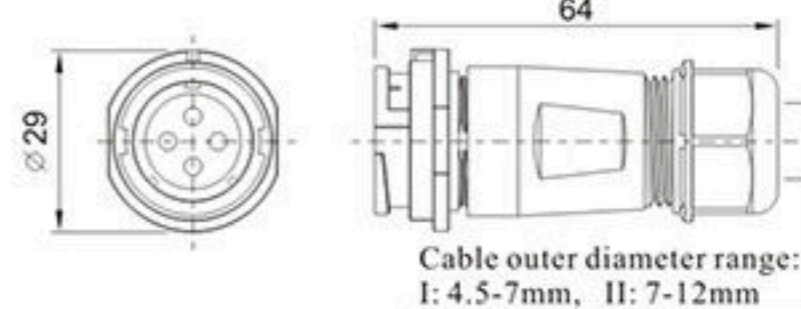
1: solder, 2: screw, 3: crimp  
Cable outer diameter: I: 4.5-7mm, II: 7-12mm




**In-line cable connector**  
Mate with SY2110



SY2111 / P --- SY2111 / S

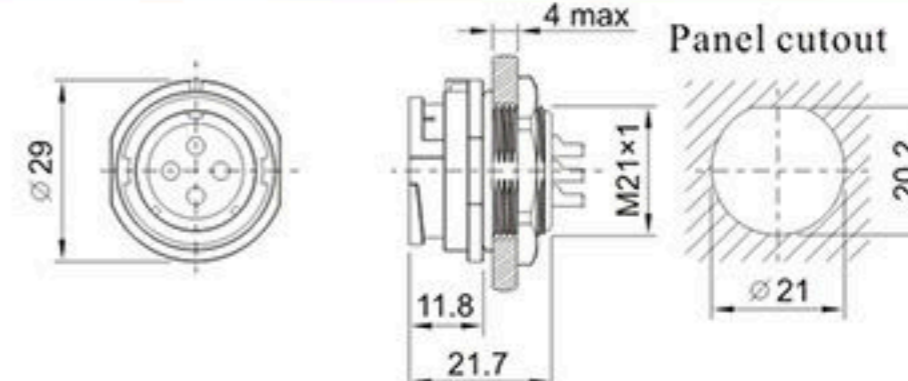


**Rear-nut mount**  
Mate with SY2110




SY2112 / P --- SY2112 / S  
Number of contact

1: solder, 2: screw, 3: crimp




**2-hole flange**  
Mate with SY2110



SY2113 / P --- SY2113 / S

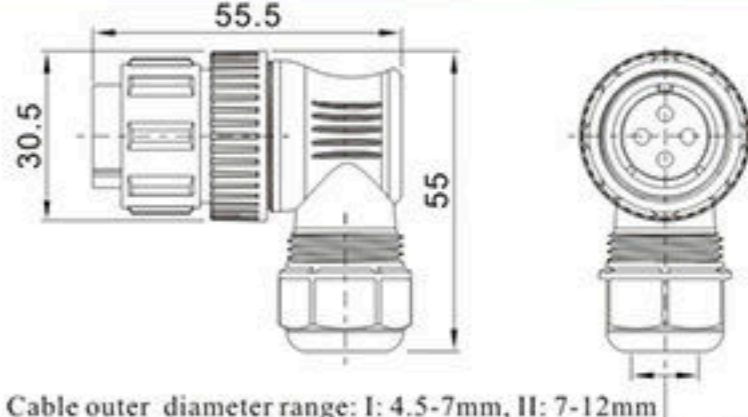


**Angled cable connector**  
Mate with SY2111, SY2112, SY2113



SY2116 / P --- SY2116 / S  
Number of contact

1: solder, 2: screw, 3: crimp  
Cable outer diameter: I: 4.5-7mm, II: 7-12mm



**Solder contact spec**

★ Crimp contact spec see page 77-80

| Number of contact                                       | 2              | 3              | 4              | 5              | 5B                 | 5C     | 7      | 9         | 12        |
|---|----------------|----------------|----------------|----------------|--------------------|--------|--------|-----------|-----------|
| Male contact face view                                  |                |                |                |                |                    |        |        |           |           |
| Rated current (A)                                       | 30             | 30             | 30             | 30             | 30<br>5            | 15     | 15     | 5         | 5         |
| Contact diameter(mm)                                    | 3              | 3              | 3              | 3              | ∅3X2<br>∅1X3       | 2      | 2      | 1         | 1         |
| Rated voltage (AC.V)                                    | 500            | 500            | 500            | 500            | 500                | 500    | 500    | 500       | 400       |
| Test voltage(AC.V) 1 min                                | 1500           | 1500           | 1500           | 1500           | 1500               | 1500   | 1500   | 1500      | 1200      |
| Contact resistance (mΩ)                                 | 1              | 1              | 1              | 1              | 1<br>5             | 2.5    | 2.5    | 5         | 5         |
| Termination   | solder / screw | solder / screw | solder / screw | solder / screw | solder             | solder | solder | solder    | solder    |
| Wire size for solder (mm <sup>2</sup> / AWG)            | ≤4/11          | ≤4/11          | ≤4/11          | ≤4/11          | ≤4/11<br>≤0.785/18 | ≤2/14  | ≤2/14  | ≤0.785/18 | ≤0.785/18 |
| Wire size for screw termination (mm <sup>2</sup> / AWG) | ≤1.5/15        | ≤1.5/15        | ≤1.5/15        | ≤1.5/15        | /                  | /      | /      | /         | /         |