

DETAILS

Product Number	CA14601_VERONICA-SQ-MINI-RS
Family	Veronica
Type	Lens
Color	clear
Diameter	13.9+13.9 mm
Height	8.86 mm
Style	square
Optic Material	PMMA
Holder Material	
Fastening	pin, tape
Status	ready
ROHS Compliant	Yes
Date Updated	17/03/2015



OPTICAL PROPERTIES

LED	Viewing	Light	Effi-		Connector
	Angle	Beam	ciency	cd/lm	
XP-E	sim: 15	Real spot	sim: 92 %	sim: 0.000	-
LUXEON Rebel	sim: 16	Real spot	sim: 87 %	sim: 0.000	-
XP-G2	sim: 20	Real spot	sim: 93 %	sim: 0.000	-
XP-G	sim: 21	Real spot	sim: 91 %	sim: 0.000	-
XP-E2	sim: 15	Real spot	sim: 93 %	sim: 0.000	-
Oslo SSL 80	sim: 14	Real spot	sim: 90 %	sim: 0.000	-
Oslo SSL 150	sim: 14	Real spot	sim: 89 %	sim: 0.000	-
H35B0 (LEMWA32)	sim: 17	Real spot	sim: 91 %	sim: 0.000	-
LUXEON Z ES	sim: 14	Real spot	sim: 89 %	sim: 0.000	-
XQ-E	sim: 13	Real spot	sim: 89 %	sim: 0.000	-
LUXEON A	sim: 21	Real spot	sim: 89 %	sim: 0.000	-
LH351Z	sim: 19	Real spot	sim: 92 %	sim: 0.000	-

D

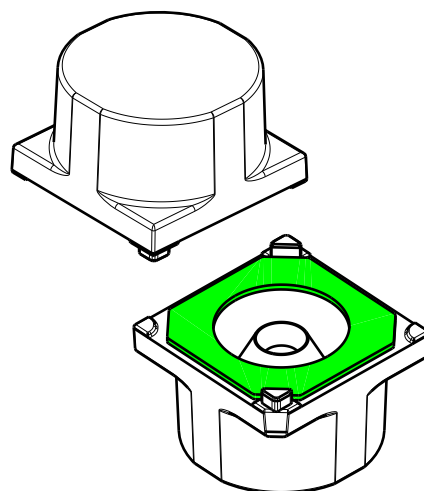
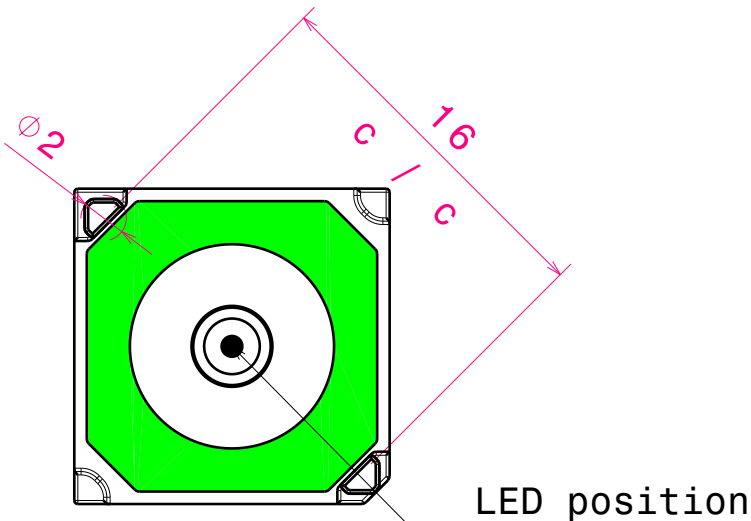
C

B

A

4

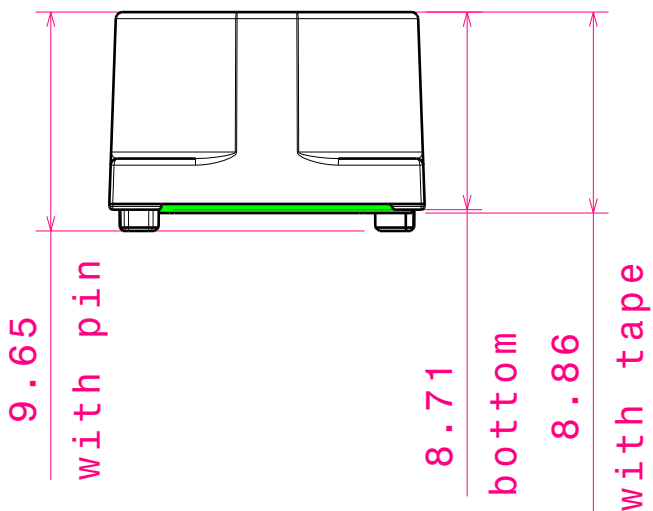
4



Isometric view
Scale: 2:1

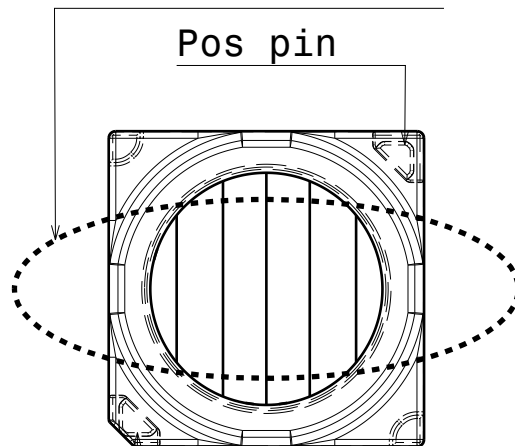
3

3



Oval direction

Pos pin

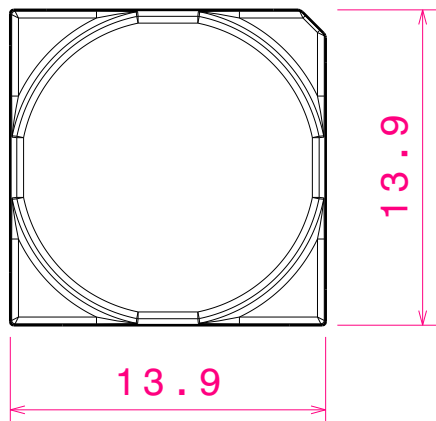


Pos pin

Oval version
TOP VIEW

2

2



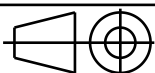
INDEX	DESCRIPTION
1	VERONICA-SQ-MINI-TAPE
2	VERONICA-SQ-MINI

Tolerances if not otherwise shown
According to DIN ISO 2768-1
Linear measures:
up to 30mm class M, otherwise class C
According to DIN ISO 2768-2
Form and position: class L

LEDiL

Ledil Oy
Salorankatu 10
FIN 24240 SALO
Finland

THIRD ANGLE PROJECTION:



DRAWING TITLE

VERONICA-SQ-MINI

This drawing is the property
of LEDiL Oy. It may not be
reproduced, copied or
communicated without a written
agreement with LEDiL Oy.

SIZE PART NUMBER

A4

-

SCALE 3:1 WEIGHT

SHEET 1/1

D

A

1

1

NOTE: The typical divergence will be changed by different color, chip size and chip position tolerance. The typical total divergence is the full angle measured where the luminous intensity is half of the peak value.