

NEW HAND-HELD ELECTRONIC ENCLOSURE



PRODUCT INFORMATION

MATERIAL: High-impact ABS UL94-HB or UL94-V0 plastic.

FEATURES:

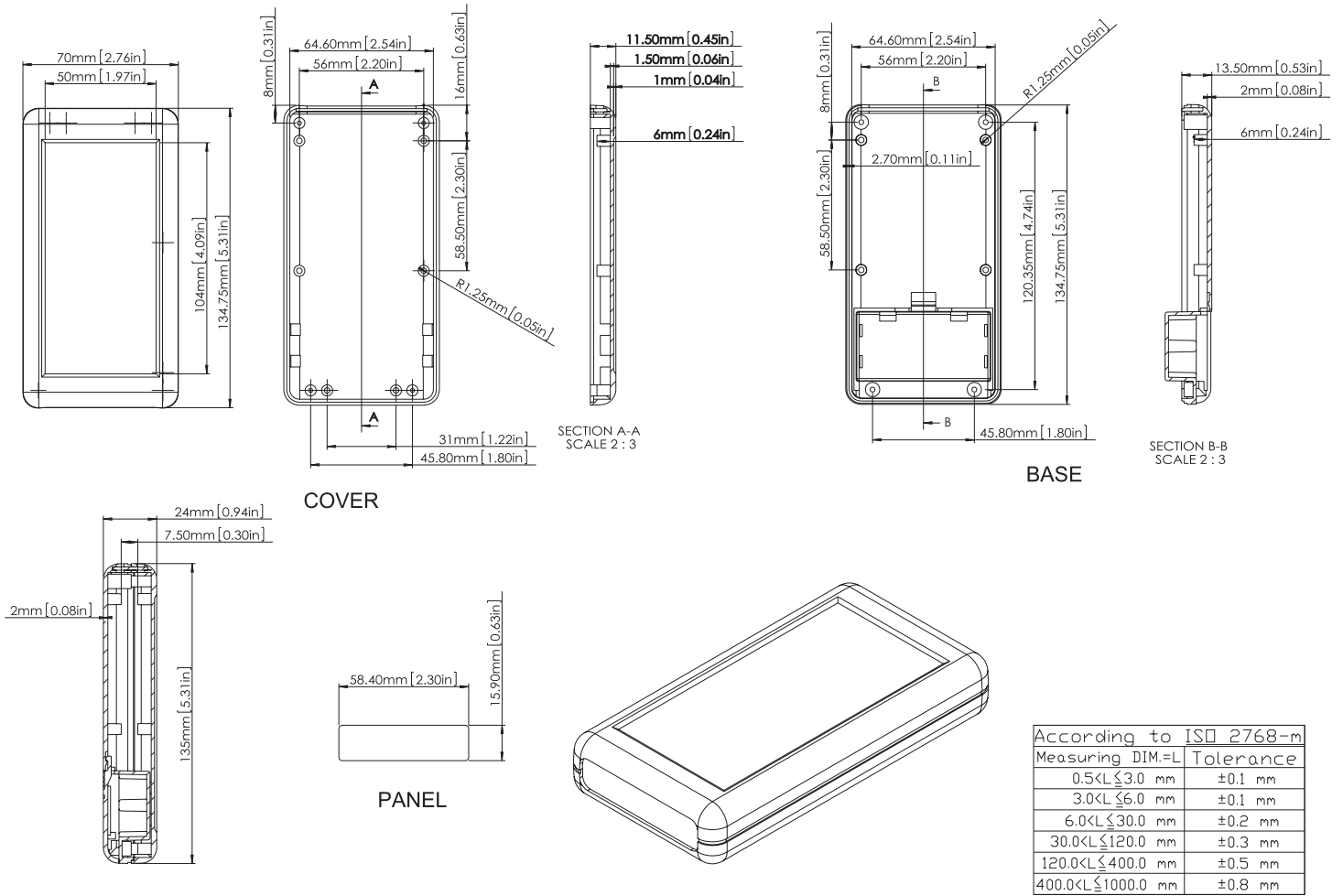
- Grey and black color are available for selection.
- Designed to accept two "AA" battery.
- Grey and black belt clip are available for ordering.
- G0310-AA battery contact kit is available for ordering.

ITEM No.	DESCRIPTION
G939G	High Impact ABS Grey
G939B	High Impact ABS Black
G939GUL	UL94-V0, ABS Grey
G939BUL	UL94-V0, ABS Black
G0310	"AA" Battery Contact Kits
G939TP	Red Transparent Panel



G0310

G939G / G939B



G0310

30310-000(X1)+30320-000(X1)+30500-000(X1)

