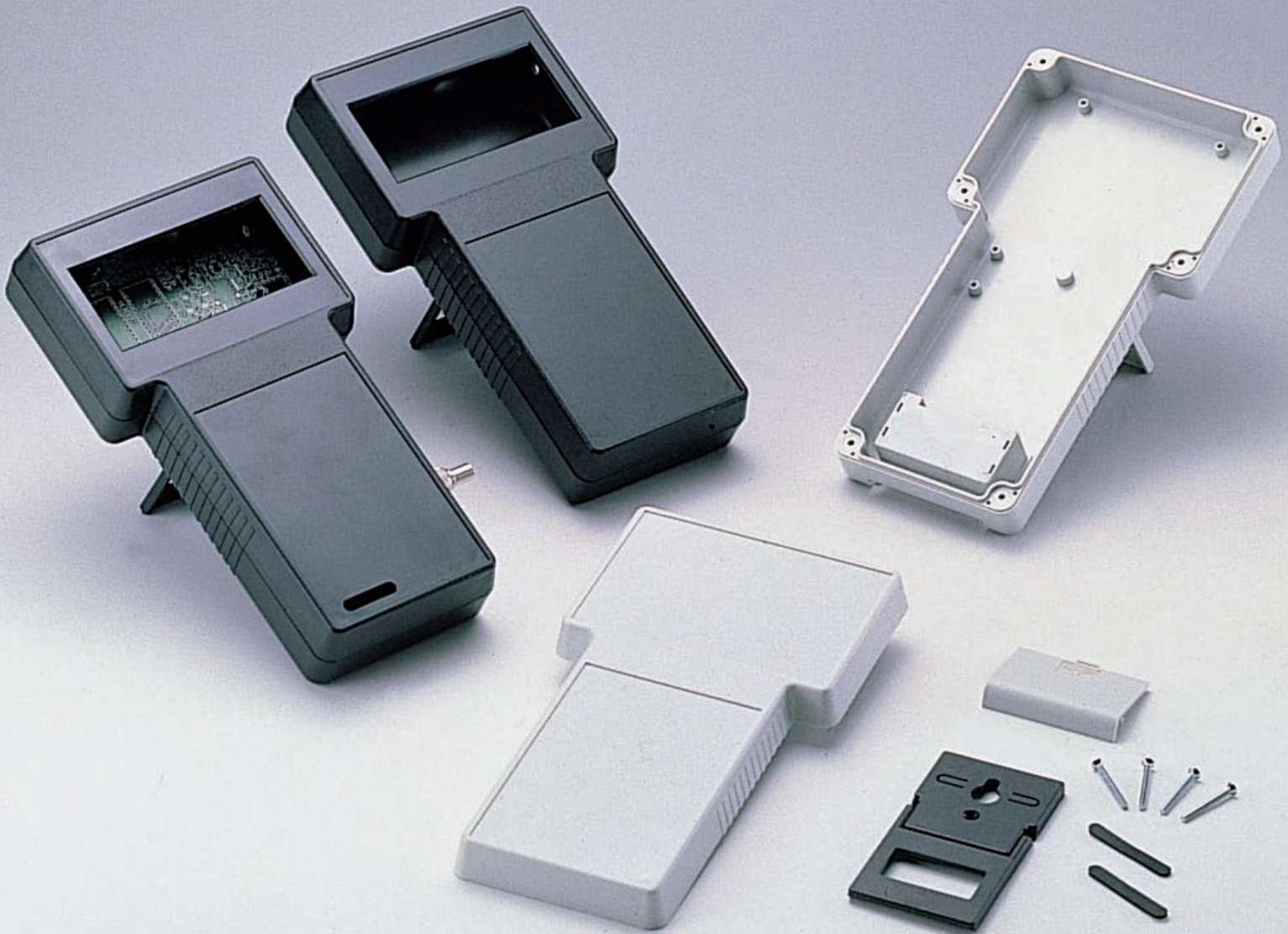


Large Size T-CASE



PRODUCT INFORMATION

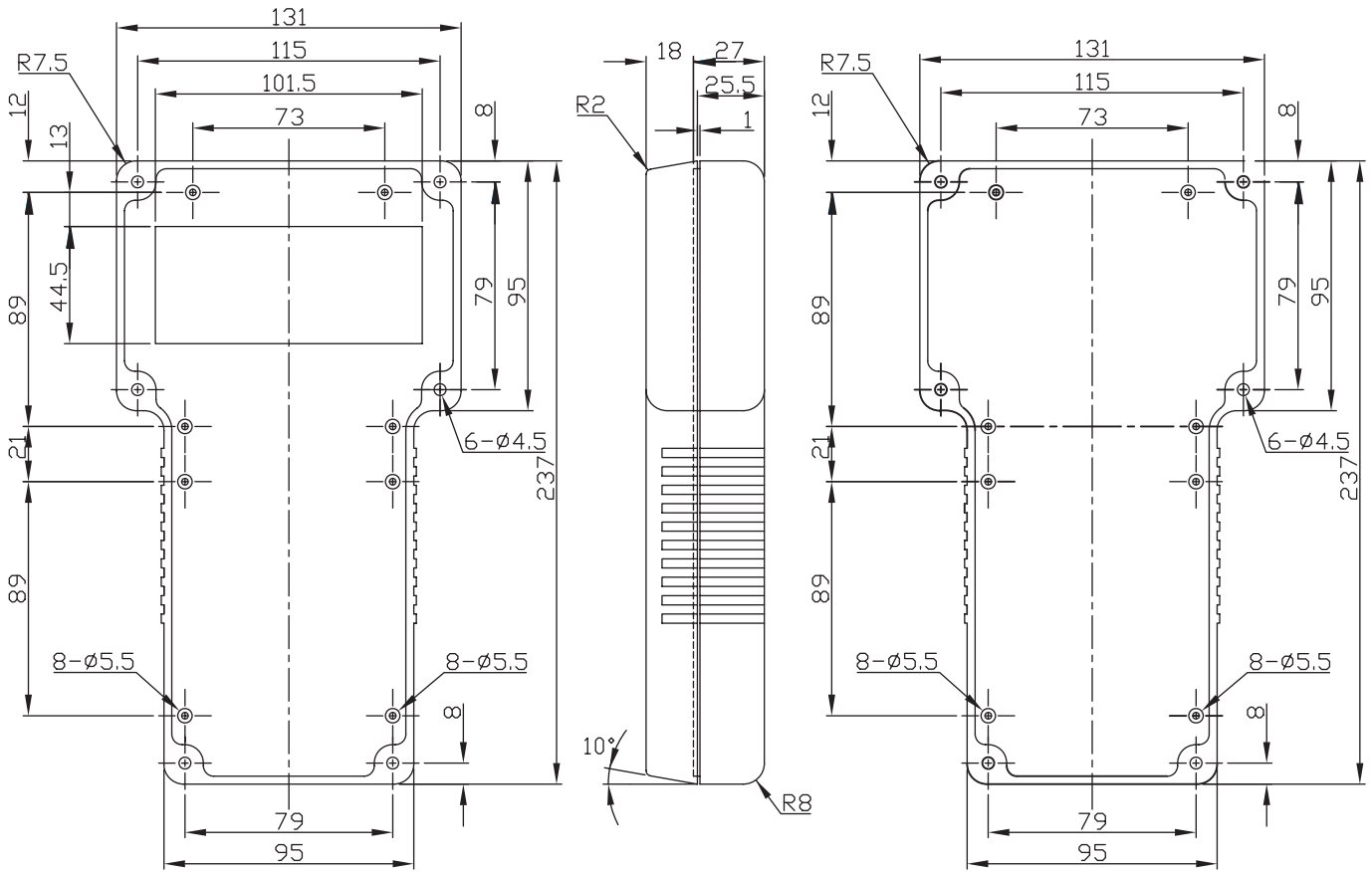
MATERIAL:

- Moulded in high impact ABS.

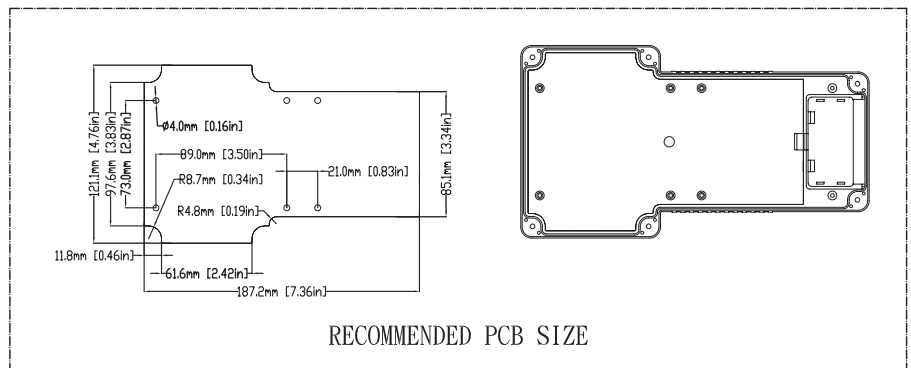
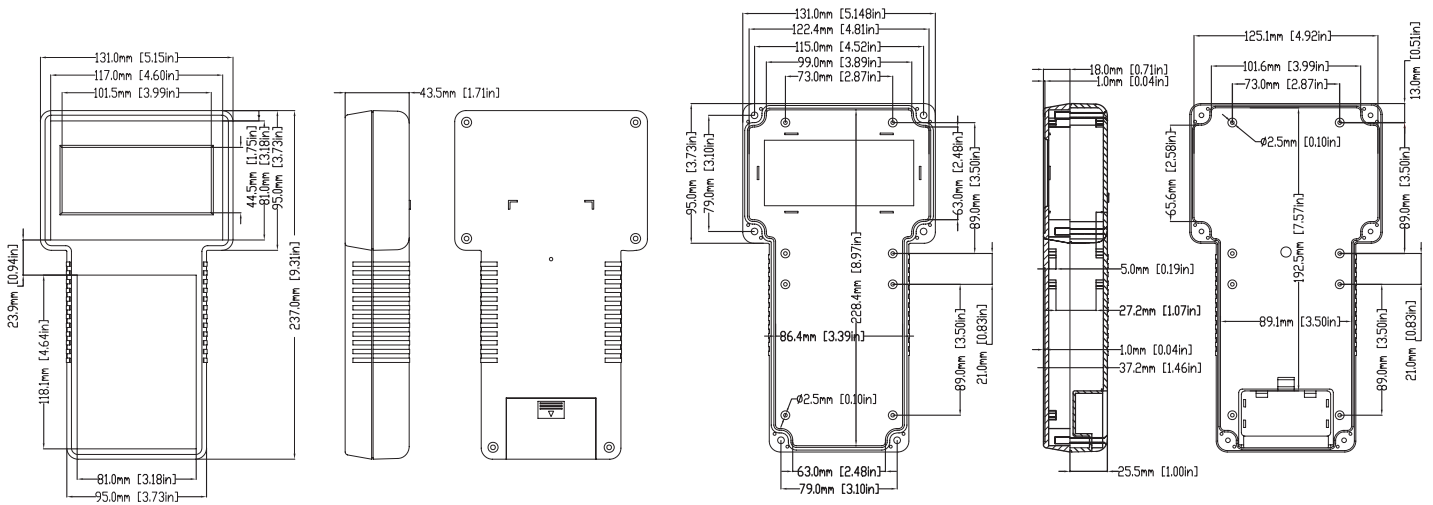
FEATURES:

- Available with either a solid display area or a cutout.
- The top and bottom parts incorporate a tongue and groove sealing system which accept gasketing. The gasket is available as a separate item.
- Available with a battery compartment in the back which accept a 9V 216 type. Or two AA batteries.
- A durable and professional moulded tilting bail is available which also can be used to wall mount the enclosures.
- Available in black and light gray as standard colour. Customer colour is available on indent.
- Case is held together by 6 PCS brass inserts in the LID and M-3 screws supplied.
- Recessed display area : 116 x 81mm.
- Recessed keyboard area : 118 x 81mm.
- Cutout area : 101 x 45mm.

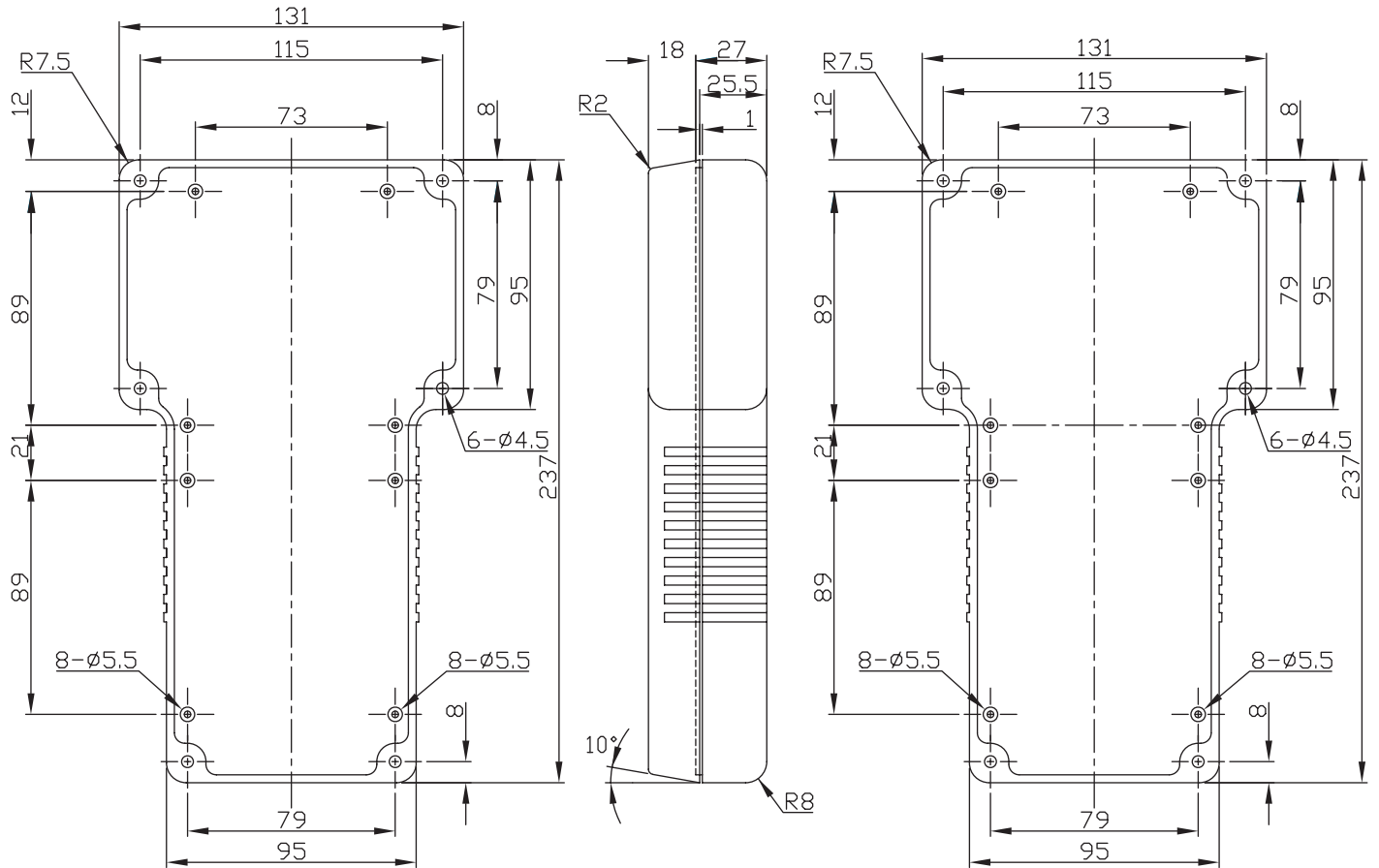
G858G(O) / G858B(O)



G858G(O)BC / G858B(O)BC



G858G(S) / G858B(S)



G858G(S)BC / G858B(S)BC

