

UTILITY BOX & USB BOX



PRODUCT INFORMATION

MATERIAL:

- Polycarbonate (Transparent) for G1901C
- High impact ABS (UL94-HB) for G1901G , G1905
- Flame retardant of ABS (UL94-V0) for G1903 , G1906 , G1908 & G1910

FEATURES:

- G1901G (or G1901C) – Ideally design for usb type of memory card or wireless product use.
- G1903, G1906, G1908 & G1910 - Ideally design for electronic product use.
- G1905 – Utility box with external mounting bracket.

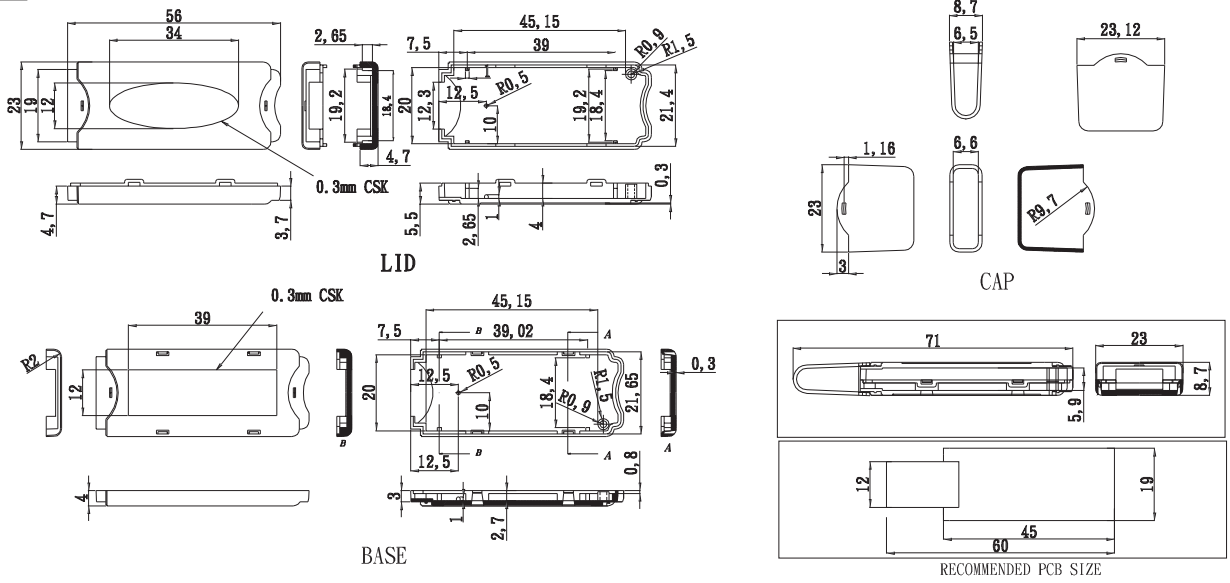
USB BOX

ITEM No.	EXTERNAL DIMENSION(MM)
G1901G	71 x 23 x 8.7
G1901C	71 x 23 x 8.7

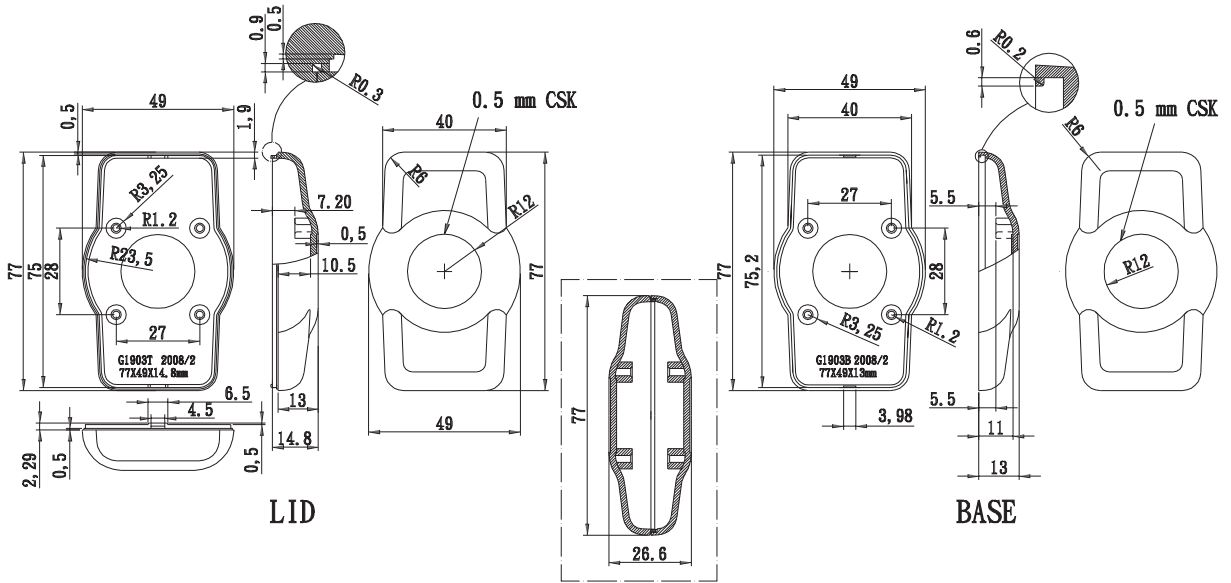
UTILITY BOX

ITEM No.	EXTERNAL DIMENSION(MM)
G1903	77 x 49 x 26.6
G1905	102 x 77 x 39.4
G1906	69.5 x 50.5 x 21
G1908	88.5 x 63 x 27.5
G1910	115 x 83 x 32

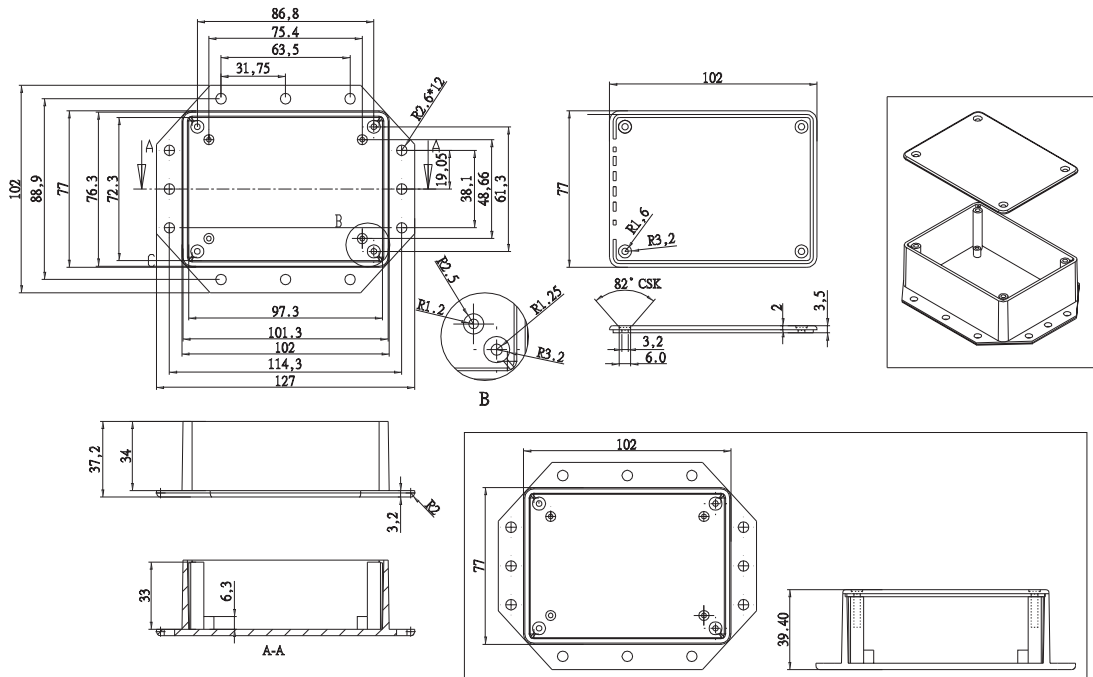
G1901



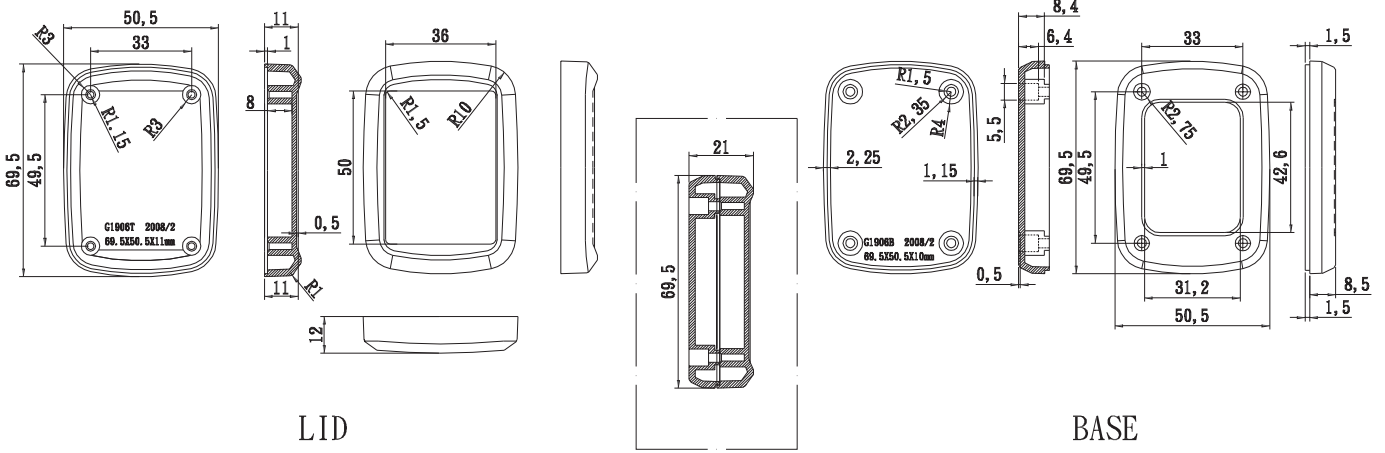
G1903



G1905



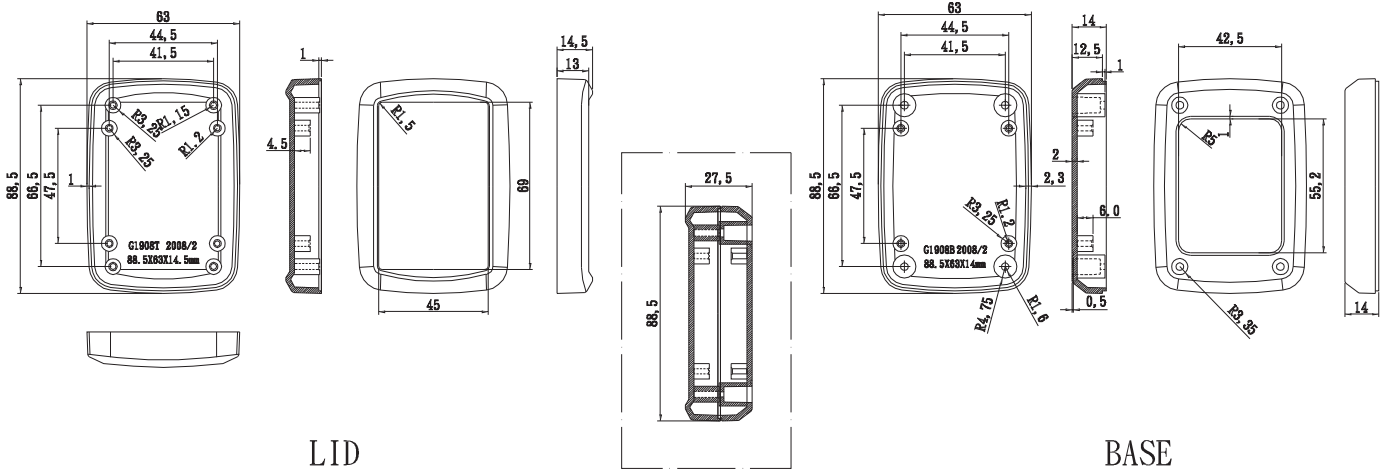
G1906



LID

BASE

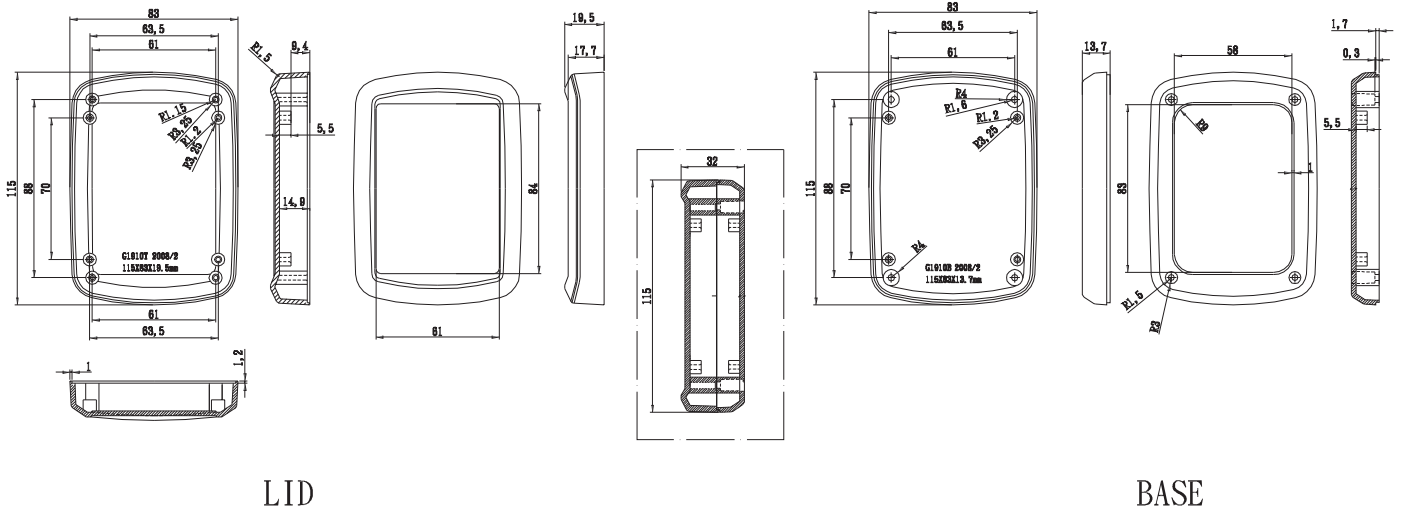
G1908



LID

BASE

G1910



LID

BASE