

SNAP IN PLASTIC CASES



PRODUCT INFORMATION

MATERIEL:

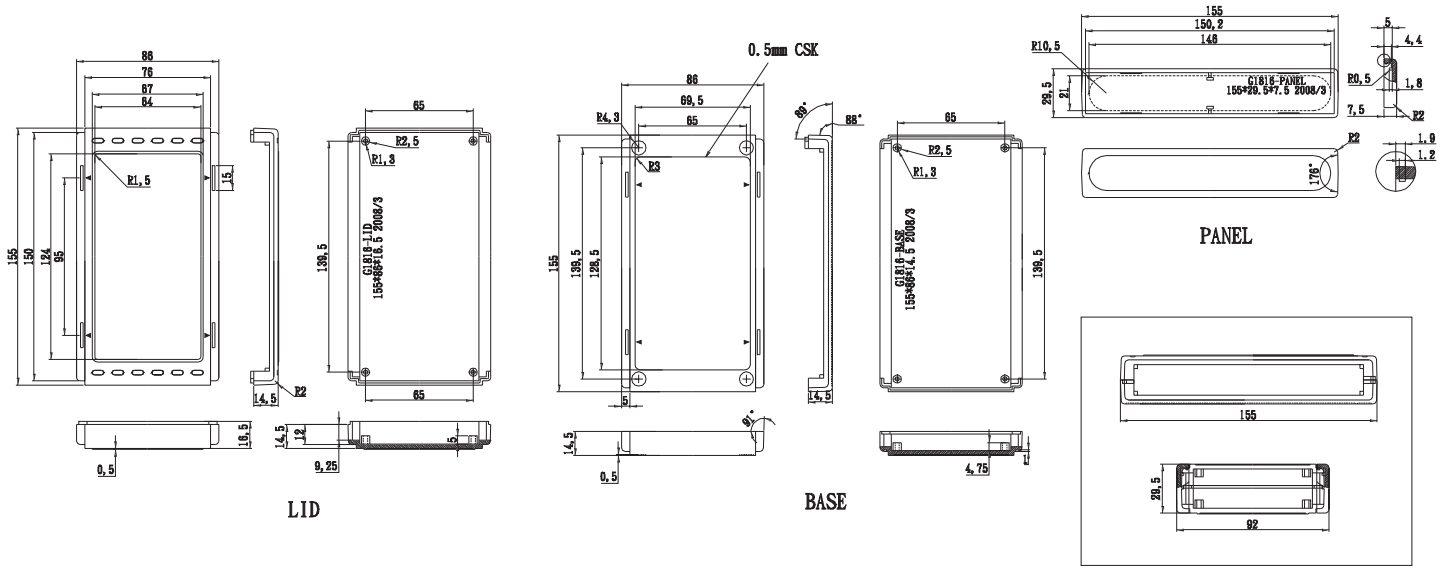
- High impact UL94-HB ABS

ITEM No.	COLOR			EXTERNAL DIMENSION(MM)
	LID	BASE	PANELS	
G1812	Light Grey	Dark Grey	Dark Grey	105 x 41 x 25.2
G1814	Light Grey	Dark Grey	Dark Grey	130 x 76 x 30
G1816	Light Grey	Dark Grey	Dark Grey	155 x 92 x 29.5
G1818	Light Grey	Dark Grey	Dark Grey	200 x 121 x 40

FEATURES:

- Lid & base are molded in light grey color, front & end panels are olded in dark grey color.
- Sap-in type of design to save the time in the product assembly.
- 4 pcs of internal bosses are available for pcb assembly.
- Ideally use for desktop instrumentation , network & telecommunication device.
- Rubber feet < RF-1001 > for G1812, G1814 & G1816 use is available for ordering.
- Rubber feet < RF-6002 > for G1818 use is available for ordering.

G1816



G1818

