

## G11XX, TYPE B SERIES

# KEYBOARD ENCLOSURE



### PRODUCT INFORMATION

#### MATERIAL:

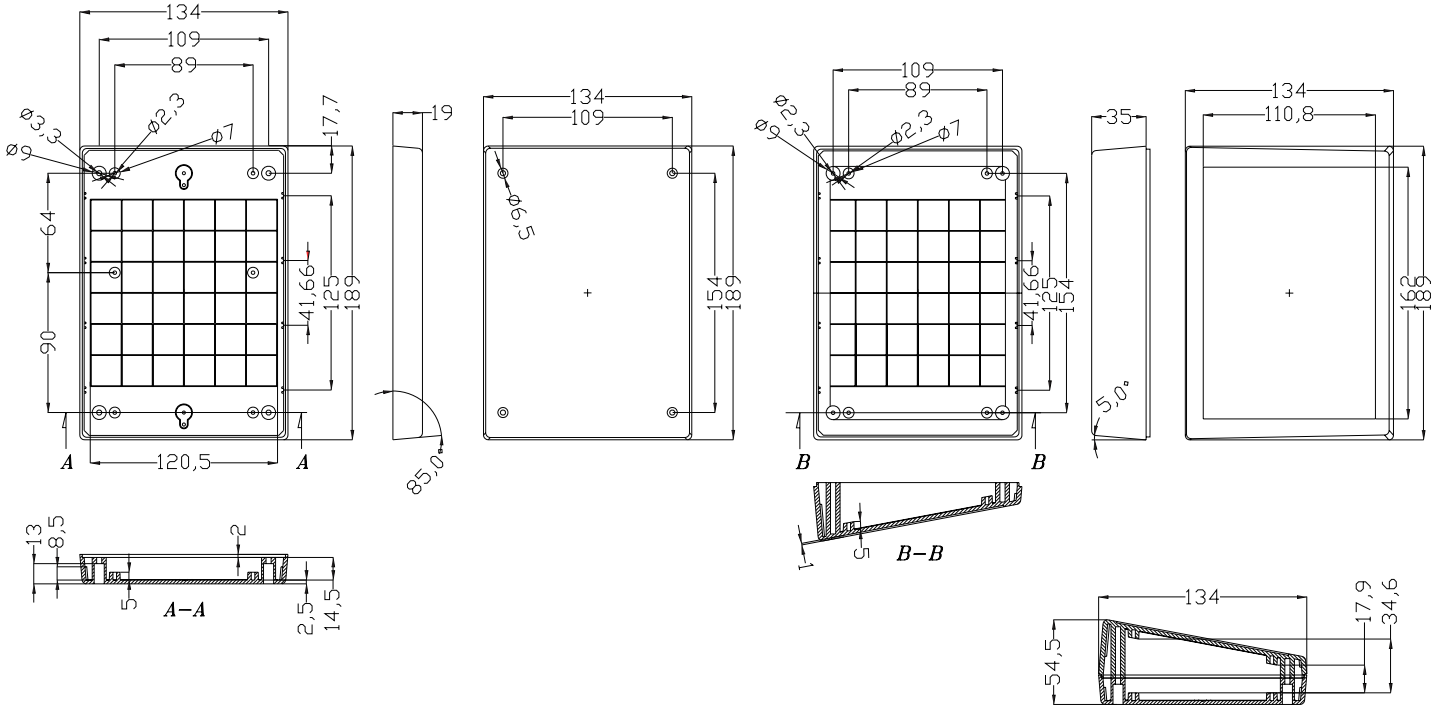
- High-impact ABS UL94-HB or UL94-V0 plastic.

#### APPLICATION:

- Test Equipment.
- Medical and scientific devices.
- Scoreboard controller.
- Audio and video controllers.
- Security systems.
- Fax decoders / switch.

MATERIAL: ABS, UL94-HB		MATERIAL: ABS, UL94-V0		EXTERNAL DIMENSION(MM)
ITEM No.	COLOR	ITEM No.	COLOR	
G1183G	Grey	G1183GUL	Grey	189 x 134 x 32.0 / 54.6
G1183B	Black	G1183BUL	Black	189 x 134 x 32.0 / 54.6
G1188G	Grey	G1188GUL	Grey	134 x 189 x 32.0 / 55.0
G1188B	Black	G1188BUL	Black	134 x 189 x 32.0 / 55.0

**G1183**



**G1188**

