

## G11XX, TYPE A SERIES

# SLOPPED HAND-HELD ENCLOSURES



### PRODUCT INFORMATION

#### MATERIAL:

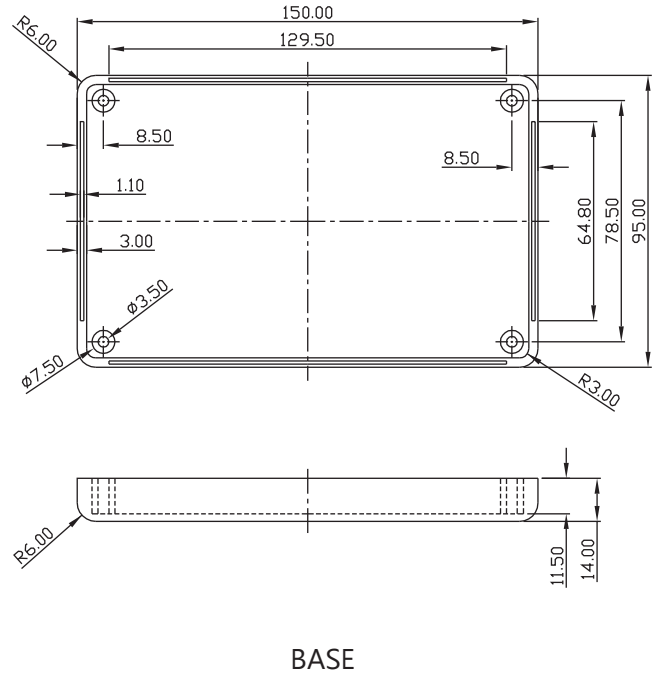
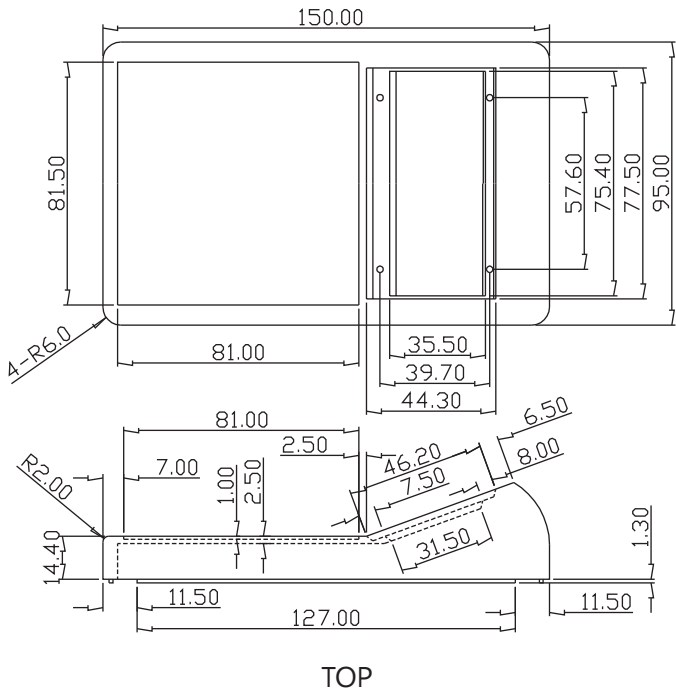
- High impact ABS plastic, light grey and black.

#### FEATURES:

- Ideal for keyboard, controllers, test instrument, computer accessories, remote actuators and controls.
- G1189G(BC) and G1189B(BC) are available with battery compartment.

ITEM No.	COLOR	ITEM No.	COLOR	EXTERNAL DIMENSION(MM)
<b>G1168G</b>	Light Grey	<b>G1168B</b>	Black	150.0 x 95.0 x 28.5/49.5
<b>G1189G</b>	Light Grey	<b>G1189B</b>	Black	189.0 x 104.5 x 33.2/59.0
<b>G1189G(BC)</b>	Light Grey	<b>G1189B(BC)</b>	Black	189.0 x 104.5 x 33.2/59.0

**G1168**



**G1189**

