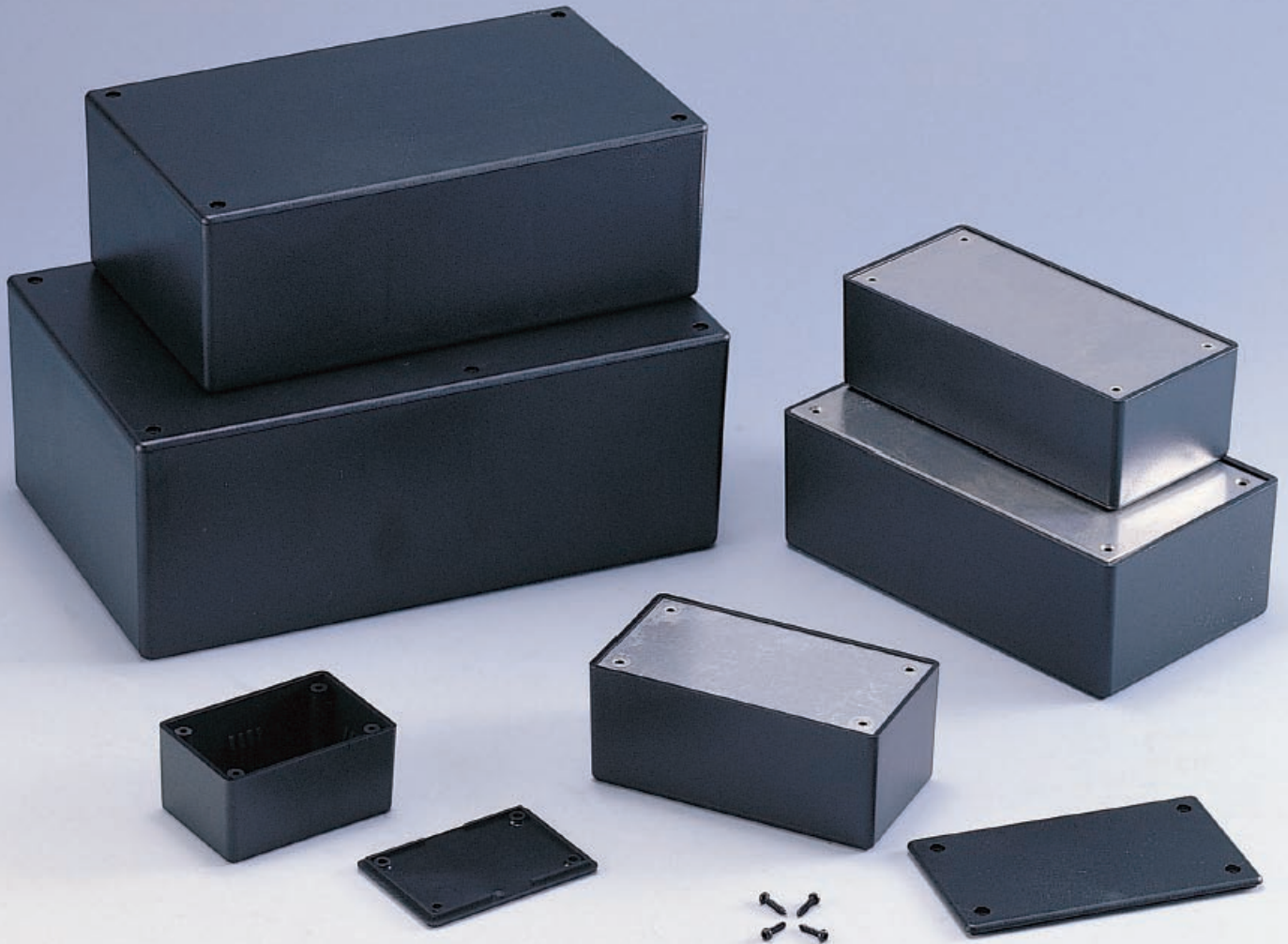


G10XX, TYPE C SERIES

NEW UTILITY BOXES



PRODUCT INFORMATION

MATERIAL:

- High-impact ABS UL94-HB plastic, black.

FEATURES:

- Plastic cover and aluminium cover panel are available.
- Card Guides accept 1.6mm thick card.



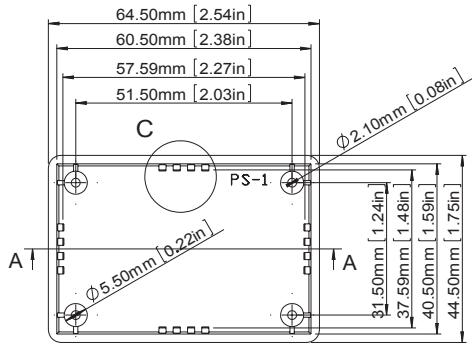
G1032B



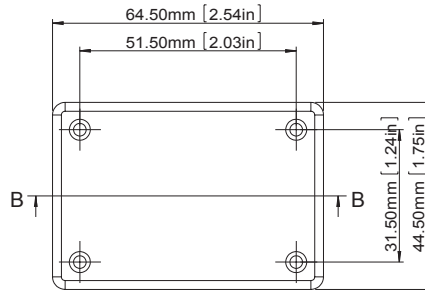
G1032BA

ITEM No.	COLOR		ITEM No.	COLOR		EXTERNAL DIMENSION(mm)
	LID	BASE		LID	BASE	
G1031B	Black		G1031BA	Aluminium Panel	Black	64.0 x 44.0 x 32.0
G1032B	Black		G1032BA	Aluminium Panel	Black	101.0 x 54.0 x 43.8
G1033B	Black		G1033BA	Aluminium Panel	Black	129.0 x 64.0 x 44.0
G1034B	Black		G1034BA	Aluminium Panel	Black	151.0 x 90.0 x 53.2
G1037B	Black		G1037BA	Aluminium Panel	Black	189.0 x 113.0 x 66.6
G1039B	Black		G1039BA	Aluminium Panel	Black	217.0 X 138.0 X 82.2

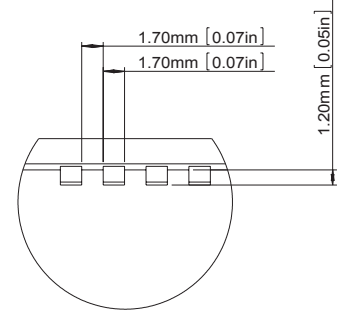
G1031B



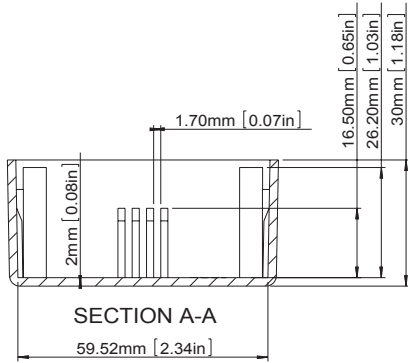
BASE



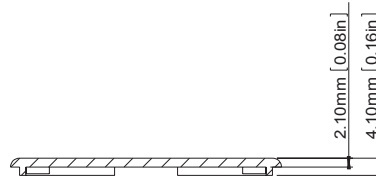
COVER



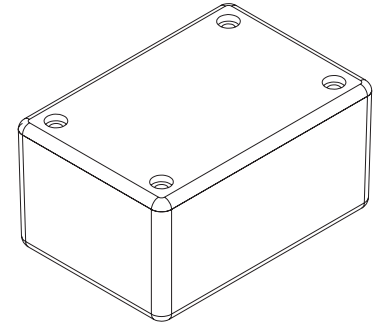
SECTION C
SCALE 3:1



SECTION A-A



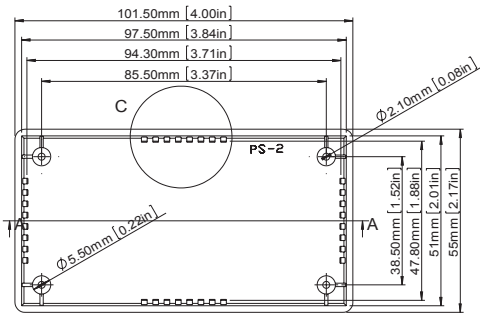
SECTION B-B



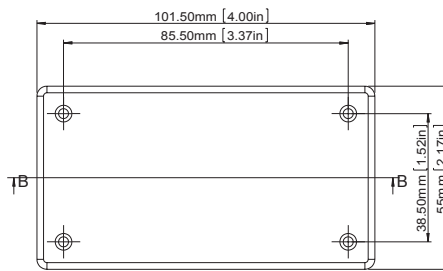
According to ISO 2768-m

Measuring DIM=L	Tolerances
0.5<L<=3.0mm	±0.1mm
3.0<L<=6.0mm	±0.1mm
6.0<L<=30.0mm	±0.2mm
30.0<L<=120.0mm	±0.3mm
120.0<L<=400.0mm	±0.5mm
400.0<L<=1000.0mm	±0.8mm

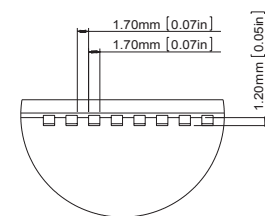
G1032B



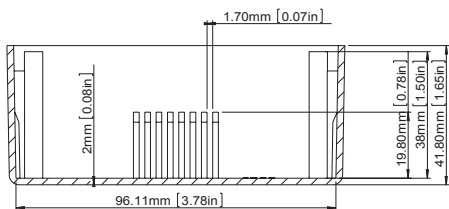
BASE



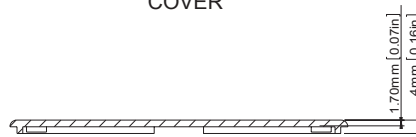
COVER



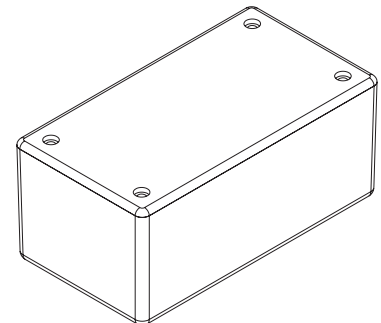
SECTION C
SCALE 2:1



SECTION A-A



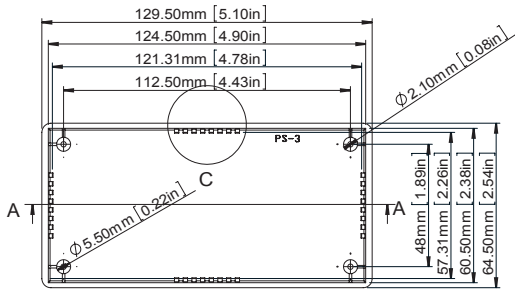
SECTION B-B



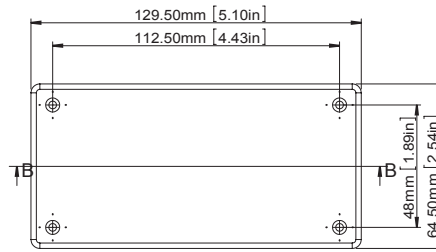
According to ISO 2768-m

Measuring DIM=L	Tolerances
0.5<L<=3.0mm	±0.1mm
3.0<L<=6.0mm	±0.1mm
6.0<L<=30.0mm	±0.2mm
30.0<L<=120.0mm	±0.3mm
120.0<L<=400.0mm	±0.5mm
400.0<L<=1000.0mm	±0.8mm

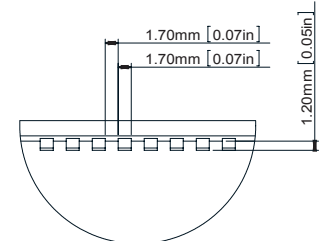
G1033B



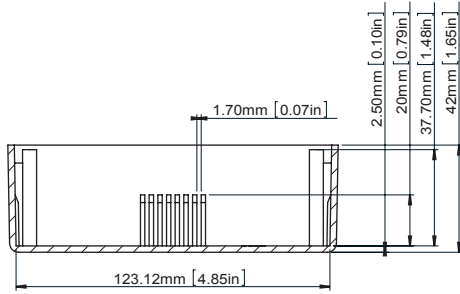
BASE



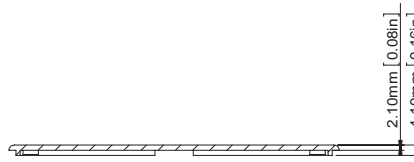
COVER



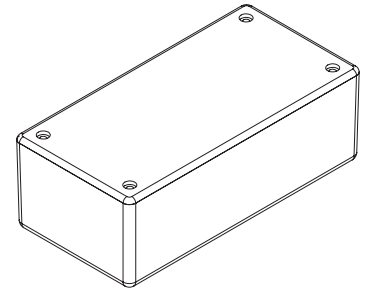
SECTION C
SCALE 2:1



SECTION A-A
SCALE 2 : 3



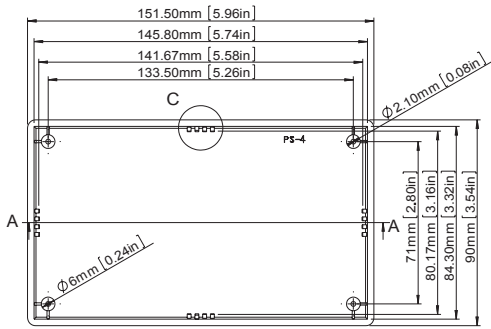
SECTION B-B
SCALE 2 : 3



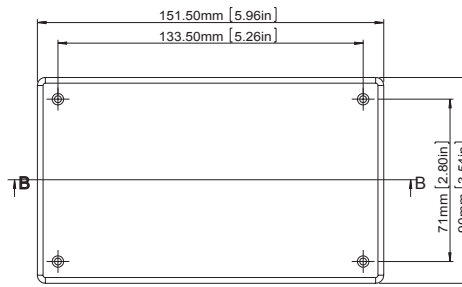
According to ISO 2768-m

Measuring DIM=L	Tolerances
0.5<L<=3.0mm	±0.1mm
3.0<L<=6.0mm	±0.1mm
6.0<L<=30.0mm	±0.2mm
30.0<L<=120.0mm	±0.3mm
120.0<L<=400.0mm	±0.5mm
400.0<L<=1000.0mm	±0.8mm

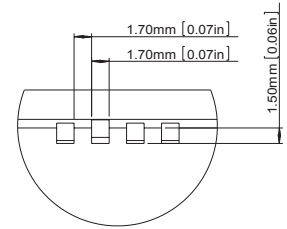
G1034B



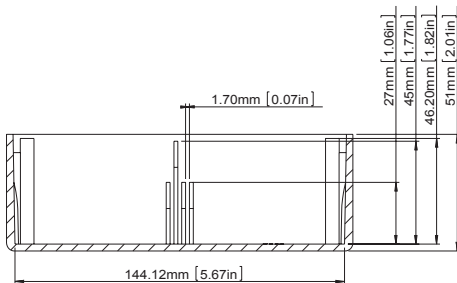
BASE



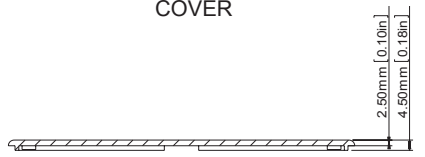
COVER



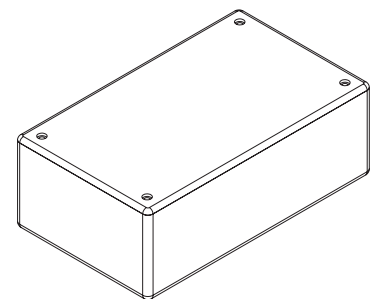
SECTION C
SCALE 3:1



SECTION A-A
SCALE 2 : 3



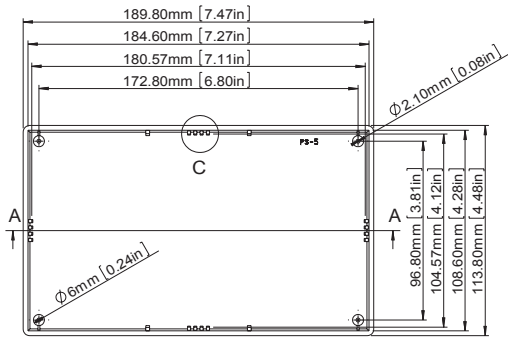
SECTION B-B
SCALE 2 : 3



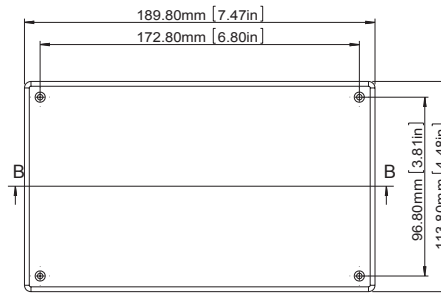
According to ISO 2768-m

Measuring DIM=L	Tolerances
0.5<L<=3.0mm	±0.1mm
3.0<L<=6.0mm	±0.1mm
6.0<L<=30.0mm	±0.2mm
30.0<L<=120.0mm	±0.3mm
120.0<L<=400.0mm	±0.5mm
400.0<L<=1000.0mm	±0.8mm

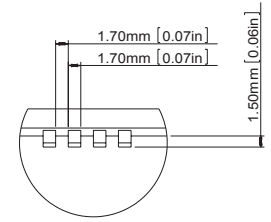
G1037B



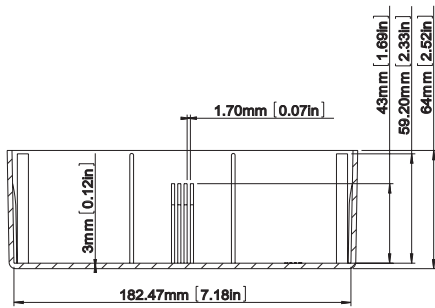
BASE



COVER



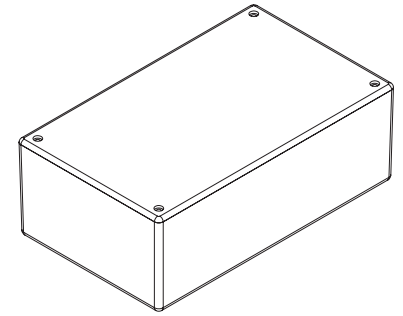
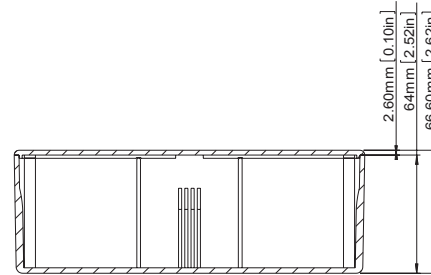
SECTION C
SCALE 2:1



SECTION A-A



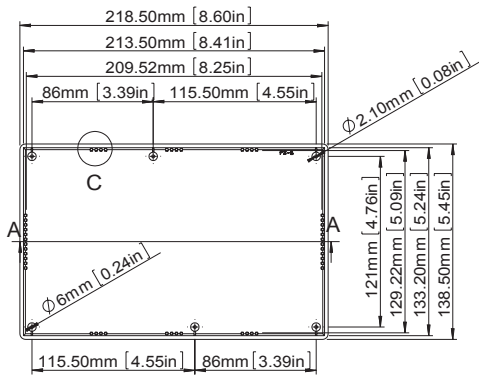
SECTION B-B



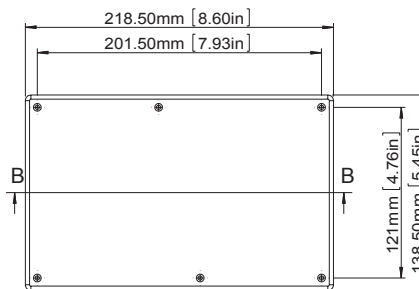
According to ISO 2768-m

Measuring DIM=L	Tolerances
0.5<L<=3.0mm	±0.1mm
3.0<L<=6.0mm	±0.1mm
6.0<L<=30.0mm	±0.2mm
30.0<L<=120.0mm	±0.3mm
120.0<L<=400.0mm	±0.5mm
400.0<L<=1000.0mm	±0.8mm

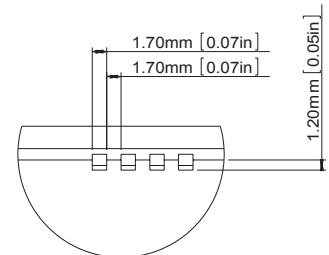
G1039B



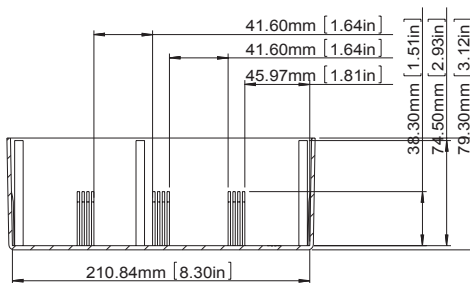
BASE



COVER



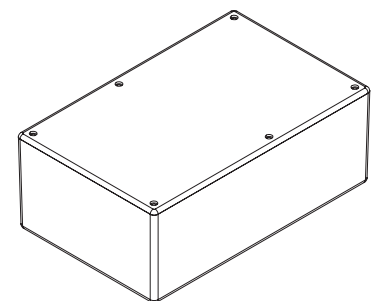
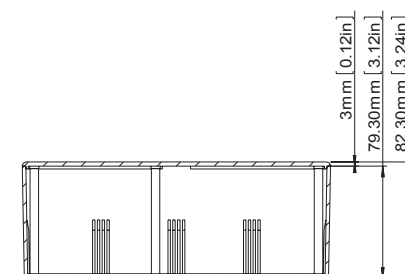
SECTION C
SCALE 2:1



SECTION A-A
SCALE 1 : 3



SECTION B-B
SCALE 1 : 3



According to ISO 2768-m

Measuring DIM=L	Tolerances
0.5<L<=3.0mm	±0.1mm
3.0<L<=6.0mm	±0.1mm
6.0<L<=30.0mm	±0.2mm
30.0<L<=120.0mm	±0.3mm
120.0<L<=400.0mm	±0.5mm
400.0<L<=1000.0mm	±0.8mm